

Price List for
Models PV 444, 445, 544, 210
Valid from July 2016

Part no	fig	Front and rear windshield gaskets	Model	Year	UNIT	Price
96561		Windshield rubber seal 444 1954-57			each	\$ 70.80
96348		Windshield rubber seal 445 Duett 1954-60			each	\$ 64.27
95962		Rear window rubber seal PV 444 1954-57			each	\$ 67.52
673228		Windshield rubber seal (accepts trim molding) 544/210		1958-68	each	\$ 56.00
659811		Rear window rubber seal (accepts trim molding) 544		1958-68	each	\$ 54.67
657440		Windshield rubber seal (w/o trim track) 544/210		1958-68	each	\$ 64.93
657439		Rear window rubber seal (w/o trim track) 544		1958-68	each	\$ 67.52
95966		Trunk seals PV 1954-1966				\$ 36.90
91693-1		Starwheel catch , PV left side trunk hinge				\$ 25.50
Side window rubber seal						
92518		Rear side window seal 444 1947-57			each	\$ 38.97
657702		Side window rubber seal (fixed windows w/o trim molding)	544	Favorite	pair	\$ 66.77
658751		Gasket, rear side pop-out window. Left	544		each	\$ 70.40
658752		Gasket, rear side pop-out window. Right	544		each	\$ 70.40
96346		Rubber seal, front side window	445/210	2/car	each	\$ 38.17
96347		Rubber seal, rear side window	445/210	2/car	each	\$ 39.00
96345		Rubber seal, rear door window	445/210	2/car	each	\$ 30.69
444/544 Door gaskets and details						
656030		Vent. window rubber seal left		1951-66	each	\$ 36.00
656031		Vent. window rubber seal right		1951-66	each	\$ 36.00
95024		Vent window rear rubber strip			pair	\$ 17.10
634735		Rubber seal, on door			each	\$ 35.00
92505		Rubber seal, lower part of door			each	\$ 8.00
95006		Door window fuzzies set of 4 for both doors				\$ 80.00
95008		Door window guide channel set of 4 for both doors				\$ 37.50
95138		Rubber filler strips, for door window set of 4 for both doors				\$ 6.00
99457		Door opening windlace (black fabric) 544			each	\$ 28.00
98284		Door opening windlace (grey fabric) 444, 445, 544			each	\$ 33.11
445/210 Duett Door gaskets and details						
662706		Door rubber seal on doors 43 feet required			per foot	\$ 2.50
92505		Rubber seal, on door bottom			pair	\$ 16.15
92508		Rubber seal, between rear doors			each	\$ 21.09
92507		Door window rubber scraper			pair	\$ 16.56
96271/72		Vent. window rubber seal	445/210	LH/RH	each	\$ 62.40
96282		Vent. window rear rubber strip	445/210	2/car	each	\$ 12.63
96164		Ball in rear door hinge	445/210	4/car	each	\$ 12.46
658071		Spring in rear door hinge	445/210	4/car	each	\$ 1.50
658072		Rubber spacer rear door hinge, body half			each	\$ 4.31
658072		Rubber spacer rear door hinge, door half			each	\$ 4.31
656804		Lock catch on rear right door (one on top, one in bottom)	445/210	2/car	each	\$ 5.91
115904		Hinge bolt with washer and lock nut 445/210			each	\$ 2.10
661617		Door window fuzzies for one door 2m or 6.6 feet		2/car	m	\$ 25.95
660564		Rubber wedge for rear doors		4/car	each	\$ 4.62
655759		Rubber bushing behind rear door lock cylinder		1/car	each	\$ 6.16
659019		Grommet rear door handle	210	1/car	each	\$ 6.47
99457		Door opening windlace (black fabric)	210		each	\$ 30.41
98284		Door opening windlace (grey fabric)	445		each	\$ 31.05
DOOR PARTS						
92214		Window elevator channel left side			each	\$ 26.27
92215		Window elevator channel right side			each	\$ 26.27
92590		Clamp on elevator channel		2/car	each	\$ 3.73
82429		Rubber stop for elevator channel		2/car	each	\$ 2.51
93897		Lock cylinder door		PV/Duett	each	\$ 35.88
94707		Lock cylinder kit door & trunk		PV	each	\$ 68.97
93898		Lock cylinder trunk		PV	each	\$ 35.88
93902		Lock cylinder kit 2 x door & trunk		PV	each	\$ 85.00
93899		Lock cylinder kit 2 x door		PV/Duett	each	\$ 72.53
93900		Lock cylinder kit 3 x door		Duett	each	\$ 98.03

Prices in US\$

655532	Rubber gasket under lock cylinder		2/car	each \$	1.50
655531	Rubber gasket door handle		3/car	each \$	2.06
655533	Set of lock cylinder / door handle rubber gaskets		2+3	each \$	7.15
655533USA	Set of lock cylinder / door handle rubber gaskets		3+3	\$	7.65
663599	Washer, inner door handle / window crank			each \$	6.00
671730	Door hinge pin			each \$	12.81
92972	spring pin for door and window crank handle 4/car			each \$	0.30
671730-1	Door hinge pin oversizes			each \$	12.92
93894	Lock unit left side			each \$	186.00
657041	Lock unit right hand side			each \$	186.00
92527	Striker plate catch			each \$	12.75
95666	Spring in door lock mechanism			each \$	8.00
658383	Door jamb switch	PV/210		each \$	20.82
191644	Rivet vent.window - frame		4+4/car	each \$	0.74
17455	Rivet vent.window hinge		2/car	each \$	2.69
120151	Washer vent. window hinge	stainless	2/car	each \$	0.52

444 / 544 INTERIOR

INTERIOR: UPHOLSTERY & PANELS, ALL COME WITH CORRECT PATTERN, MATERIALS & TRIM MOLDINGS

444 1956-57

Following interior pieces made to order

Door panels (trim molding NOT included)		pair \$	223.99
Upholstery rear, upper armrest		pair \$	142.15
Upholstery rear, lower armrest		pair \$	189.53
Upholstery B-pillar (board + vinyl, not glued)		pair \$	43.08
Front seat upholstery (lower / upper)		2 pairs \$	648.29
Rear seat upholstery (lower / upper)		pair \$	465.22

INTERIOR CODES AVAILABLE

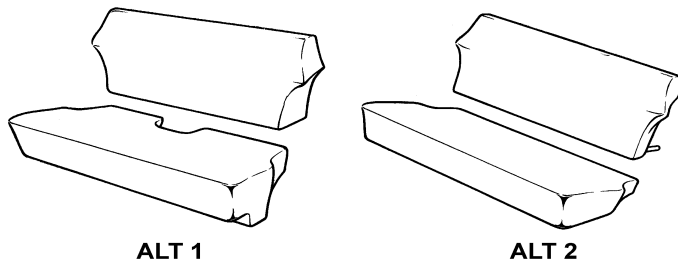
1-110	Blue / grey / silver	444	1956-57
113	Red/grey fabric. Grey vinyl.	444 KS	
2-113	Red/grey fabric. Grey vinyl.	444 LS	
4-123	Red vinyl	444	US
5-124	Yellow/black vinyl	444	US
6-125	Light blue/black vinyl	444	US
7-126	Red leather	444	US
8-127	Red leather. Red vinyl.	444	US
9-122	Black-&-grey fabric. Black vinyl.	444	
11-129	Grey vinyl. Fabrics in grey, and red w/ silver thread.	444	
12-130	Red / beige vinyl.	444L	US
13-131	Two shades of grey vinyl. (Grey and "lighter grey")	444	US
16-138	Black-&-grey fabric. Black vinyl.	444	
17-139	Blue / grey / black vinyl.	444	US

544 B16 1958-61

INTERIOR PARTS AVAILABLE

Door panels with embossing/masonite	544A	1958-61	pair \$	188.46
Rear side upholstery	544A	1958-61	each \$	92.61
Front seat upholstery (lower / upper)	544 A-B	1958-61	2 pairs \$	533.06
Rear seat upholstery (lower / upper) (<i>Version 1 or 2!</i>)	544 A-B	1958-61	pair \$	319.84
Wheel arch upholstery	544 A-B	1958-61	pair \$	54.92
Upholstery strip B-pillar strip (masonite + vinyl, not glued)	544 A-B	1958-59	pair \$	43.08
96854 Door panel trim kit (aluminum, incl installation kit)	544 A-B	1958-61	each \$	43.08
				\$ 1,275.04

544A



ALT 1

ALT 2

Fig 1: Alternative, seats 544A

INTERIOR CODES AVAILABLE

21-140	Red vinyl. Salt 'n' pepa fabric.	544A	1958-59
22-141	Blue vinyl. Salt 'n' pepa fabric.	544A	1958-59
23-142	Red vinyl. Salt 'n' pepa fabric.	544A	1958-59
24-143	Blue & beige vinyl (US model)	544A	1958-59
25-144	Red & beige vinyl (US model)	544A	1958-59
27-156	Grey & beige vinyl (US model)	544A	1958-59
28-166	Red vinyl. Salt 'n' pepa fabric.	544B	1960
29-167	Light brown vinyl. Light brown fabric.	544B	1960
30-168	Light blue vinyl. Blue fabric.	544B	1960
31-169	Grey vinyl. light grey fabric	544B	ref. needed
32-170	Light brown vinyl (US Model)	544B	ref. needed
33-171	Light blue vinyl (US Model)	544B	ref. needed
34-172	Light grey vinyl (US Model)	544B	ref. needed
35-173	Light red vinyl (USA Model)	544B	ref. needed

PV544 B18 1962-66**INTERIOR PARTS AVAILABLE**

Door panels with embossing/masonite/chrome trim	544 C-G	1962-66	pair	\$ 187.38
Rear side upholstery	544 C-G	1962-66	pair	\$ 77.28
Front seat upholstery (lower/upper)	544 C-G	1962-66	2 pairs	\$ 490.29
Rear seat upholstery (lower/upper)	544 C-G	1962-66	set	\$ 288.87
Upholstery strip B-pillar strip (masonite + vinyl, not glued)	544 C-G	1962-66	pair	\$ 43.08

INTERIOR CODES AVAILABLE

37-194	Nougat & beige perforated vinyl (US model)	544 C-D	1962-63
38-195	Red & red perforated vinyl	544 C-D	1962-63
39-196	Blue & beige perforated vinyl	544 C	1962
40-197	Nougat vinyl. Beige textile.	544 C-D	1962-63
41-198	Light blue vinyl. Light blue fabric		1962
42-220	Grey & grey perforated vinyl (US model)	544 C-D	1962-63
43-221	Red & red perforated vinyl	544 D	1962-63
44-222	Light grey vinyl. Grey fabric	544 D	1963

6			go " ctrl+f " to search		
45-223	Red vinyl. Red fabric		544 D	1963	
46-237	Grey & grey perforated vinyl (US model)		544 E	1964	
47-238	Red solid & red perforated vinyl		544 E	1964	
49-239	Grey vinyl. Grey fabric		544 E	1964	
50-240	Red vinyl. Red fabric		544 E	1963	
52-510	Dark red vinyl. Red fabric		544 F-G	1965-66	
53-511	Black vinyl. Grey fabric		544 F-G	1965-66	
55-513	Light blue vinyl. Blue fabric		544 F-G	1965-66	

445 / 210 Duett Interior 1958 -1961

INTERIOR PIECES & CODES AVAILABLE

Door panels with masonite, fabric & vinyl.		pair	\$	234.76
Upholstery panel rear side (with board)		pair	\$	177.69
Front seat upholstery (lower/upper)		2 pairs	\$	527.68
Rear seat upholstery (lower/upper) (<i>Hi/lo latch versions !!</i>)		pair	\$	319.84
Rear wheel arch upholstery		pair	\$	86.15
Upholstery strip B-pillar strip (masonite + vinyl, not glued)		pair	\$	43.08
Upholstery strip above door (masonite + vinyl, not glued)		pair	\$	17.23

116	Grey vinyl. Red striped fabric		1956-57	
202-137	Red vinyl. Grey-&-white striped fabric			
205-136	Light blue & black vinyls.		US	
206-134	Black vinyl. Grey-&-black fabric			
213-150	Black & red vinyl. Salt 'n' pepa fabric			
214-151	Beige & black vinyls. Red fabrics w/ silver threads.			
215-153	Red vinyl. Grey-&-white striped fabric			
216-158	Red vinyl. Grey-&-white striped fabric			
217-154	Red vinyl. Grey-&-black striped galoness.			
218-173	Red vinyl. Grey-&-white striped fabric			
219-174	Red vinyl. Grey-&-white striped fabric			
220-175	Red vinyl. Grey-&-black striped galoness.			

210 1962-68

FOLLOWING PARTS AVAILABLE

Door panel (complete w/ vinyl, pressings and trim)	1962-68	pair	\$	176.61
Upholstery panel rear side (with board)	1962-68	pair	\$	155.07
Front seat upholstery (lower/upper)	1962-68	pair	\$	480.29
Rear seat upholstery (lower/upper)	1962-68	pair	\$	283.22
Rear wheel arch upholstery	1962-68	pair	\$	49.54
Upholstery strip B-pillar strip (masonite + vinyl, not glued)	1962-68	pair	\$	43.08
Upholstery strip above door (masonite + vinyl, not glued)	1962-68	pair	\$	17.23

INTERIOR CODES AVAILABLE

221-216	Nougat solid & beige perforated vinyl	210 B-C	1962-63	
222-217	Nougat solid & beige perforated vinyl	210 B-C	1962-63	
223-241	Grey solid & grey perforated vinyl	210 D-F	1964-66	
226-243	Grey solid & grey perforated vinyl	210 D-F	1964-66	
229-543	Brown solid & brown perforated vinyl	210 M-P	1967-68	
230-544	Brown solid & brown perforated vinyl	210 M-P	1967-68	

000349	Wheelhouse padding		set	\$	12.44
--------	--------------------	--	-----	----	-------

95290	Door panel fastener 70/car		each	\$	0.86
95290-1	Door panel fastener set of 50		each	\$	35.00
95290-2	Door panel clips set of 25		set	\$	18.00

Head liners (ready to install)

98802	Grey felt fabric headliner Duett 445 -57		each	\$	310.36
690259	Textured fabric headliner Duett 210 -63		each	\$	369.59
690257	Perforated vinyl headliner Duett 210 1963-68		each	\$	209.40
95997	Grey felt fabric headliner PV 444		each	\$	175.00
98390	Textured fabric headliner PV 544		each	\$	272.55
98762	Perforated vinyl headliner PV 544		each	\$	152.00

658249	Dash pad original PV 544 and 210		each	\$	292.00
658090	Dashboard trim molding kit	V/Duett	1/car	each	\$ 112.44

662728/29	Repair panel under rear seat Duett 445 and 210		each	\$	27.10
-----------	--	--	------	----	-------

Board panels

96742/43	Card board kick panel (grey)	444/445	LH/RH	pair	\$ 31.36
MS1	Screw kit for 96742/73	444/445		set	\$ 1.81

		go " ctrl+f " to search			7 of 29
7	659512/13 MS1A	Card board kick panel (grey) 544 and 210 set left/right Screw kit for 659512/13	macbook 544/210	pair set	\$ 32.31 \$ 1.81
	96636	Card board panel, left side in trunk	1957-66	each	\$ 25.60
	659516/17	Card board below rear seat (grey)	444/544 LH/RH	pair	\$ 30.58
	661588	Card board rear seat back side	544	each	\$ 21.33
	13170	Nail set for 659516/17		set	\$ 2.01
	659475	Card board below rear seat (grey)	445/210 Grey	st	\$ 38.81
	659978	Hat shelf (grey - w/o mounting holes)	544 1958-60	each	\$ 42.35
	659978-1	Hat shelf (grey - with mounting holes)	544 1960-62	each	\$ 42.35
	663046	Hat shelf (black)	544 1963-66	each	\$ 44.50
	660339	Rubber button in hat shelf	4/car	each	\$ 3.38
	94522	Glove compartment insert 444/445	444/445	each	\$ 36.74
	657996	Glove compartment insert 544/210	544/210	each	\$ 34.56
	93963	Rubber button for glove compartment	2/car	each	\$ 2.35
	950225	Screw under glove compartment	4/car	each	\$ 0.56
	691585	Firewall insulation gray	544/210 1962-64	each	\$ 65.00
	691585S	Firewall insulation black	544/210 1965-68	each	\$ 65.00
	657905	Rubber button gray for gray firewall insulation	6/car B18 62-64	each	\$ 2.65
	671261	Rubber button black for black firewall insulation	6/car B18 65-68	each	\$ 2.46
	671261-1	Rubber button set black set of 6	set / car	set	\$ 14.75
	395100	Grommet kit firewall 444 and 445 -56		set	\$ 48.46
	395103	Grommet kit firewall PV 444 and 544 1957 - 61		set	\$ 46.32
	395105	Grommet kit firewall PV 544 and 210 1962-68		set	\$ 32.79
		Floor Mats - Original molds 6 pc / set			
	96581	Rubber mat set - Grey	444/445 1954-57		\$ 450.00
	659476	Rubber mat set - Grey	544/210 1958-66	set	\$ 497.42
	94947	3-piece button		each	\$ 2.38
	94945	Complete floor mat button set	14 pc/kit	set	\$ 24.87
	277237-40	Carpet set Red, Grey, Black & Blue (if for 444 check first)	544/210	set	\$ 265.00
	001	Sound deadening board (self adhesive)	1 m2	1 m2	\$ 23.71
	659476F	Felt kit for rubber mats		set	\$ 42.00
	279632	Original rubber accessory mats (All PV / Duett)		4/set	\$ 172.67
	279632/33T	Accessory carpets w/ heel pad	y / Black	4/set	\$ 93.58
	656142T	Trunk carpet	444/544	each	\$ 97.00
	96588	Gear shift rubber boot (grey or black) PV 444 -1956		each	\$ 53.62
	659493	Gear shift rubber boot (grey) PV 544 1957-66		each	\$ 39.33
	659701	Gear shift rubber boot (grey) Duett all years		each	\$ 35.00
	669582	Hand brake boot 544/210	544/210	each	\$ 24.54
		WINDSHIELDS			
	671887	Front windshield (tinted - green)	544/210	each	\$ 165.00
	657268	Windshield clear 544 and 210		each	\$ 165.00
		Note shipping cost between \$100-\$120.00			
		FRONT LIGHTS			
	273547	Lamp housing (bucket) w/ mounting details	2/car	each	\$ 110.00
	273547-1	Lamp housing (bucket) plastic	2/car	each	\$ 48.62
	MS26	Mounting kit housing/fender	1/car	each	\$ 2.35
	671739	Chrome rim for headlight (stainless)	2/car	each	\$ 56.13
	671260	Retainer headlight (stainless)	2/car	each	\$ 36.03
	MS27	Mounting kit retainer/inner bucket	1/car	each	\$ 1.13
	83590	Headlight inner bucket	2/car	each	\$ 75.30
	88052	Headlight rubber seal	2/car	each	\$ 4.80
	115895	Screw for head light rim	2/car	each	\$ 0.13
	87690	Headlight adjusting screw	4/car	each	\$ 3.07
	83591	Headlight adjusting spring	8/car	each	\$ 2.50
	1212963	Headlight unit VOLVO H4		each	\$ 60.97
	6006	Headlight seal beam	6V	each	\$ 24.77
	6014	Headlight seal beam	12V	each	\$ 20.46
	238775-1	Headlight unit H4 bulb, asymmetric appearance		each	\$ 38.09

		go " ctrl+f " to search				8 of 29
8	241068	Headlight unit, asymmetric w parking			each	\$ 76.22
	241068-1	Headlight unit, asymmetric w parking - repro		macbook	each	\$ 34.66
	662148/49	Wiring harness headlamp	544/210	B18	each	\$ 25.26
	89047	Rubber grommet (through front panel)		d=19,5 D27,5	each	\$ 4.93
	88273	Rubber grommet on bucket	444/445	3,0 D=20.0	each	\$ 2.40
INDICATOR LAMPS						
	651958	Rubber gaiter	444	1957	each	\$ 11.09
	651963	Bulb holder	444	1957	each	\$ 23.38
	651962	Lens (clear)	444	1957	each	\$ 25.15
	651960	Chrom bezel for lens	444	1957	each	\$ 20.54
	19897	Bulb	444	1957	each	\$ 2.53
	88898	Turn signal seal	PV 444	1951-52	seat	\$ 19.54
	88744	Turn signal seal	PV 444	1952-53	pair	\$ 19.54
	89728	Turn signal seal	PV 444	1954-56	pair	\$ 19.54
	658184	Front turn signal lens (clear) from 1958-			each	\$ 7.47
	666630	Front turn signal lens (amber) from 1958-			each	\$ 9.50
	658182	Chrome bezel turn signal		not 1957	each	\$ 18.09
	661340/41	Turn signal unit (Rubber housing, wires & reflector)	LH/RH	B16	each	\$ 52.00
	666631	Turn signal unit (Rubber housing, wires & reflector) Left		B18		\$ 59.50
	666632	Turn signal unit (Rubber housing, wires & reflector) right		B18	each	\$ 59.50
	658181	Rubber housing B16 used on both sides		B16	each	\$ 22.51
	6613/14	Reflector with wires	LH/RH	B16/18	each	\$ 41.00
REAR LIGHTS						
	651958	Rubber gaiter	444	1957	each	\$ 11.09
	651963	Bulb holder	444	1957	each	\$ 22.02
	651959	Lens (red)	444	1957	each	\$ 27.17
	651960	Chrom bezel for lens	444	1957	each	\$ 32.95
	19897	Bulb	444	1957	each	\$ 2.53
	655605/06	Taillight housing	444	1957	each	\$ 69.32
	658802/03	Taillight wire harness	LH/RH	B16	each	\$ 36.23
	667563/64	Taillight wire harness	LH/RH	PV B18	each	\$ 33.97
	658275	Rubber casing for taillight wire harness	2/car	B16/B18	each	\$ 11.76
	658271	Gasket tail light housing lens PV 1958-66	2/car		each	\$ 4.75
			544		each	\$ 54.32
	659376	Taillight reflector (Reconditioned)	544		each	\$ 27.93
	MS3	Mounting kit 544 rear light	544		each	\$ 14.00
	658399	Rear light lens red (no chrome surround)	544		each	\$ 60.00
	658397	Chrome surround for lens rear light	544		each	\$ 36.93
	950223	Taillight screw (lower)	544	2/car	each	\$ 1.32
	191175	Taillight screw (upper)	544	2/car	each	\$ 1.23
	658441	Rubber washer rear light housing	544	6/car	each	\$ 0.83
	191399	Taillight stud (30 mm)	544	4/car	each	\$ 2.75
	191227	Taillight stud (25 mm)	544	2/car	each	\$ 2.30
	191399-1	Stud			each	\$ 13.25
	76846/47	Rear light gasket	444H-K	1954-56	pair	\$ 46.20
	13319	Rear light gasket housing/fender 1.3 m	544	1957-66	pair	\$ 7.03
	656086	Spare wheel comp door reflector	445/210		each	\$ 6.41
	662144/45	Taillight reflector	445/210	LH/RH	each	\$ 70.00
	658588	Taillight lens (all red)	445/210	1958-68	each	\$ 30.12
	673086	Taillight lens (amber/red)	445/210	1958-66	each	\$ 56.63
	658589	Taillight chrome trim	445/210	1958-66	each	\$ 36.27
	658591	Taillight rubber casing	445/210	1958-66	each	\$ 18.40
	940151	Taillight screw	445/210	1958-66	each	\$ 1.97
	658833	Rubber washer for screw 940151	445/210	1958-66	each	\$ 0.99
	669246/47	Complete taillight assembly	445/210	LH/RH	each	\$ 127.61
	13319	Gasket (sold by meter)			m	\$ 5.42
	88674	License light rubber seal	444	1951-57	each	\$ 18.57
	95255	Red lens, in overrider bar	444	1951-57	each	\$ 16.10

Prices in US\$

		go " ctrl+f " to search				
9	655947	License light rubber casing	544	2/car	each	\$ 8.68
	660569	License light wire harness	544	1/car	each	\$ 9.26
	87687	Rubber grommet high/low beam switch	444		each	\$ 6.11
	668675	High/low beam switch Bosch		1958-68	each	\$ 51.69
	668675R	High/low beam switch (Repro) 1958-68			each	\$ 25.87
	MS28	Mounting kit for 668675		1/car	each	\$ 4.00
INTERIOR LIGHTS						
	662109	Dome light	544/210	1956-68	each	\$ 70.67
RELAYS						
	89111	Flasher relay	B16	6V	each	\$ 34.49
	660582	Flasher relay		6V	each	\$ 12.65
	667407-1	Flasher relay (After market repro)	B18	12V	each	\$ 6.78
	669102	Relay for headlight flasher	B18	12V	each	\$ 43.71
	1307991	High/low beam relay (flasher switch)			each	\$ 50.09
	662115	Switch, heat unit	B18	12V	each	\$ 37.06
Bulbs						
	182043	Headlight bulb H4	6V	60/55W	each	\$ 11.96
	182049	Headlight bulb H4	6V	45/40W	each	\$ 11.96
	182035	Symmetric headlight	6V	45/40W	each	\$ 6.79
	182035-1	Asymmetric headlight	6V	45/40W	each	\$ 6.99
	277730	Asymetric headlight	12V	45/40W	each	\$ 6.99
	277752	Headlight bulb H4	12V	60/55W	each	\$ 6.99
	11496	Turn signal	6V/10w	444	each	\$ 2.75
	182047	Turn signal	6V	1954-56	each	\$ 2.53
	277704	Turn signal	6V/4W		each	\$ 2.53
		Turn signal	6V	544	each	\$ 2.53
	277728	Turn signal	12V	544	each	\$ 2.53
	277729	Turn signal	12V	544	each	\$ 2.53
	19897	Stop & taillight "lower"	6V	ALL	each	\$ 2.53
	191188	Stop & taillight "upper"	6V	ALL	each	\$ 2.53
	277724	Taillight upper PV ch# <372601 - Duett ch# <55500	12V		each	\$ 1.40
	277721	Taillight upper PV ch# >372601 - Duett ch# >55500	12V		each	\$ 2.53
	277728	Taillight lower PV ch# <372601 - Duett ch# <55500	12V		each	\$ 2.53
	277729	Taillight lower PV ch# >372601 - Duett ch# >55500	12V		each	\$ 2.53
	11496	Licence light	6V/10W	444	each	\$ 2.75
	11480	Licence light	6V/5w	1958-60	each	\$ 1.76
	182007	Licence light	6V	Duett	each	\$ 1.76
	277713	Licence light	12V	1962-66	each	\$ 1.76
	277707	Licence light	12V/5w	Duett	each	\$ 2.53
	182007	Licence light	6V	444	each	\$ 1.76
	182057	Interior light 6V			each	\$ 1.76
	277715	Interior light 12V			each	\$ 1.47
	11480	Instrument	6V/4W		each	\$ 1.76
		Instrument	6V/2W		each	\$ 2.53
	277703	Instrument	12V/2W		each	\$ 2.53
HORN						
	658358	Horn signal spring			each	\$ 6.58
	658378	Retainer spring			each	\$ 14.78
	658333	Turn signal switch on the steering column				\$ 127.00
Hood seals & components						
	13209	Hood seal (black fabric)	feet / car	-1962	each	\$ 27.57
	MS5	Screw kit for 5 ft 13209		-1962	set	\$ 1.40
	666765	Hood rubber seal	544/210	1962-	each	\$ 21.91
	13209-1	Hood seal (black fabric) to complement the rubber seal	feet / car	1962-	each	\$ 9.25
	MS5A	Screw kit for 666765 / 13209			set	\$ 1.40
	82429	Hood Rubber cushion hood/fenders		9 / car	each	\$ 1.72
	82429-1	Hood Rubber cushion set (9 x 82429)			set	\$ 12.92
	87347	Bolt & nut for hood hinge		2/car	each	\$ 8.03
	87506	Washer for hood hinge		4/car	each	\$ 3.41
	87329	Arm		1/car	each	\$ 4.44

Gasket for hood latch

ENGINE COMPONENTS**Cooling system**

252078	Radiator unit	34B/B16		each	\$	595.50
252087	Radiator unit	B18		each	\$	450.00
87502	Drain valve	B16/B18		each	\$	35.32
313705	Radiator chain	'544/210		each	\$	8.00
88495	Pull ring for chain	544/210		each	\$	2.15
					\$	-
87994	Radiator hose upper	B4B		each	\$	8.22
88131	Radiator hose lower	B4B		each	\$	16.63
660094	Radiator hose upper	B16		each	\$	14.65
660095	Radiator hose lower	B16		each	\$	14.65
663031	Radiator hose upper/lower	B18		each	\$	13.00
952659	Hose clamp radiator hose (range: 25-38 mm)			each	\$	2.35
673989	Radiator rubber bushing	B16/B18	3/car	each	\$	3.68
663497	Sleeve for radiator	B16/B18	2/car	each	\$	3.33
273162	Thermostat (170°F)	34B/B16		each	\$	24.64
273163	Thermostat (180 / 198°F)	34B/B16		each	\$	24.02
273163-88	Thermostat (88C / 190°F)	34B/B16		each	\$	8.95
13376	Thermostat (71C / 160°F)			each	\$	24.02
418496	Thermostat 160°F 71C B18/20			each	\$	15.50
273164	Thermostat 180°F 82C B18/20			each	\$	15.50
403161	Thermostat gasket	34B/B16		each	\$	2.50
403793	Gasket thermostat housing to block	34B/B16		each	\$	2.71
418361	Thermostat gasket	B18/B20		each	\$	2.86
418325	Thermostat housing	B18/B20	-1966	each	\$	51.74
MSA25	Screw kit for thermostat housing	B18/B20	-1966	each	\$	0.59
87842	Radiator cap 444 and 544			each	\$	19.10
403348	Water pump (w/o pulley)	B4B		each	\$	189.40
418031	Water pump	B16		each	\$	163.50
13911	Hose water pump/housing	34B/B16		each	\$	6.00
403105	Gasket water pump	34B/B16		each	\$	3.45
70913	Thrower ring in water pump	34B/B16		each	\$	4.11
271602	Water pump with gaskets and seals B18 B20			each	\$	49.95
270664	Gasket kit water pump	B18		set	\$	7.79
418334	Water inlet pipe	B18		each	\$	32.78
275603	Repair kit for water pump	B18/B20		each	\$	61.60
54609	Repair kit for water pump B4/B16			each	\$	184.43
403109	Fan belt	B4B		each	\$	25.46
951684	Fan belt	B16		each	\$	11.44
960282	Fan belt	B18/B20		each	\$	10.00
	Carburetors					
276217	Repair kit carburetor SUH4 pair	B16B		pair	\$	243.00
276278	Maintenance service kit carb SUH6 one kit will do 2 carb	B18B	1961-68	pair	\$	123.84
276278-292	Rebuild kit carburetor SUH6	B18B	1961-68	pair	\$	166.92
331940	Gasket set HS4 B16B price is for two sets			pair	\$	24.95
332453	Gasket set HS6 B18 price is for two sets			pair	\$	24.95
237106	Gasket float bowl lid carburetor	SUH6		each	\$	2.25
237009	Carburetor needle SU		B16B	each	\$	27.93
237050	Carburetor needle SU		B16B	each	\$	27.93
237221	Carburetor needle SU H6	ZH		each	\$	32.29
237255	Carburetor needle SU H6	KF		each	\$	30.49
237248	Carburetor needle SU H6	KD		each	\$	30.53
237315	Carburetor needle SU H6	DX		each	\$	27.10
237103	Carburetor needle SU H6	TZ		each	\$	30.49
656871	Rubber bushing carburetor - air cleaner	A/B18A		each	\$	25.62
403882	Gasket carburetor	B18A	1961-68	each	\$	2.80
237058	Diaphragm kit (gaskets, springs & diaphragm) Zenith 34/35 VN			each	\$	20.00
64757	Fuel hose, line to fuel pump (braided)	All Ch-385023		each	\$	32.31
419796	Fuel rubber hose to pump	B18 Ch 385024-		meter	\$	8.01
419797	Fuel rubber hose from pump	B18 Ch 385024-		meter	\$	8.01

652136	Fuel hose between carburetors B16B			each	\$ 74.50
55192	Choke wire, single carburetor			each	\$ 21.28
55192-2	Choke wire, dual carburetor			each	\$ 29.95
418561	Cable retainer	2/car	B18 B/D	each	\$ 5.43
950003	Screw for retainer	2/car	B18 B/D	each	\$ 0.45
237178	Clamp choke wire at carb	2/car	B18 B/D	each	\$ 12.38
Air filters					
660447	Air filter (incl. new bolts)	2/car	B16B	each	\$ 78.39
403919	Gasket filter/carburetor		B14A/B16B	each	\$ 2.91
418754	Gasketat carburetor intake manifold SU 4 /car			each	\$ 2.38
73607	Air filter		earky B18A	each	\$ 21.00
952982	Connecting (rubber) hose for air/oilbath filter	'61-1966	B18A	each	\$ 11.99
951798	Hose clip for 952982	2/car	B18A	each	\$ 2.90
MSA19	Mounting kit for bracket 663852	1961-64	B18A	each	\$ 7.76
73604	Air filter oil bath		B18A	each	\$ 66.71
73606	Air filter 2-hole for SU HS6		B18B/D 1961-66	each	\$ 29.93
677607	Gasket carburetor - 73606		B18B/D 1961-66	each	\$ 2.34
MS29	Screw kit for 73606	1/car	B18B/D	each	\$ 6.03
Electric & ignition system parts					
673261	Ignition lock with 2 keys "VOLVO" text on Key			each	\$ 102.30
673339	Key blank for ignition Neiman			each	\$ 6.76
660140	Key blank for ASSA			each	\$ 30.41
660140-1	Key blank for ignition ASSA type			each	\$ 15.00
418265	Gasket under distributor			each	\$ 1.20
870690	Distributor cap B16/B18			each	\$ 26.06
233677	Distributor point kit B16 1955-61			each	\$ 12.29
238859	Distributor point kit B18 -1964			each	\$ 10.88
240149	Distributor point B18B/D 1965-68			each	\$ 10.59
76977	Distributor rotor B16			each	\$ 12.00
238258	Distributor rotor B18 -1964			each	\$ 12.00
243903	Distributor rotor 1965			each	\$ 6.95
77732	Condensor B16			each	\$ 8.62
241397	Condensor B18			each	\$ 8.45
Fuses & cigarett lighter					
11434	Fuse 25A short			each	\$ 5.07
11433	Fuse 8A			each	\$ 0.53
192228	Fuse box B18			each	\$ 20.00
192229	Fuse box cover B18			each	\$ 29.00
667698	Fuse positions sheet 6V and 12 V			each	\$ 4.42
182008	Cable joint red "Volvo" logo		B16/B18	each	\$ 2.27
93544	Washer between glow element & knob 673107			each	\$ 2.68
673107	Cigar lighter knob			each	\$ 4.43
277238R	Cigar lighter assembly			each	\$ 25.75
Ignition coils					
238960	Ignition coil B18			each	\$ 673.06
275660	Spark plug wire set	B18/B20	red	set	\$ 42.00
275660B	Spark plug wire set Bosch gray wires	B18/B20		set	\$ 35.00
403297	Spark plug (Champion or Bosch) B16			set	\$ 20.41
271411	Spark plug set of 4 , B18			set	\$ 20.41
Battery- and ground cables					
190828	Battery lead, battery - starter engine		B16 PV	each	\$ 33.92
191116	Battery lead, battery - starter engine		B16 DUETT	each	\$ 33.92
192216	Battery lead, battery - starter engine		B18/B20	each	\$ 29.85
952625	Rubber clamp (10 mm)			each	\$ 1.01
11417	Ground strap, battery - body		B16/18/20	each	\$ 8.45
190339	Ground strap, engine - frame		B16/18/20	each	\$ 7.60

Starter				
233679	Carbon brush kit, starter B1 6 early B18 Bosch			set \$ 18.65
240604	Starter carbon brush kit	Bosch	B18	set \$ 9.05
238817	Brush spring	4/car	B18	each \$ 3.50
240360	Starter complete rebuilt	Bosch	B18/B20	each \$ 183.62
240619	Starter pinion for 240360	Bosch	B18/B20	each \$ 77.61
238824	Starter pinion for 238620	Bosch	B18/B20	each \$ 112.05
191165	Pin screw for starter engine	2/car	B16	each \$ 4.34
Generators				
238039	Generator brush kit	Bosch	B4B	set \$ 11.46
238479	Generator brush kit	Bosch	B16	set \$ 20.00
273500	Generator brush kit	Bosch	B18	set \$ 9.71
238801	Brush spring	Bosch	B18	each \$ 3.10
MS103	Mounting kit 238640	-1964	12V	each \$ 0.68
MS104	Mounting kit 238640	1964-	12V	each \$ 0.68
11010	Front bearing, for generator		B16/B18	each \$ 13.42
190718	Nut for 238793		B16/B18	each \$ 1.82
11009	Rear bearing, for generator		B16/B18	each \$ 4.50
238640R	Voltage regulaor D/C aftermarket		12V	each \$ 47.00
MS102	Generator mounting kit (incl. rubber bushings)		B18	set \$ 15.14
403877	Generator rubber bushing		B18	each \$ 1.94
418354	Bracket for generator			each \$ 22.49
Alternators				
419598	Alternator bracket kit B16/B18/B20			each \$ 32.00
Wire harnesses & Electric connectors				
245	Wire harness, complete	PV 544	B18	each \$ 665.52
246	Wire harness, complete	P210	B18	each \$ 665.52
958211	Headlamp connector (box + 3 spade connectors)			each \$ 4.92
958214/15	Connector box (incl. connectors)	black		each \$ 22.61
191676	Bridge connector (in connector box)			each \$ 7.39
Engine gaskets & pin bolts				
403808	Cylinder head gasket B16			each \$ 59.56
418990	Cylinder head gasket B18			each \$ 28.53
403455	Head / manifold gasket B4B			set \$ 38.49
403833	Head / manifold gasket B16			set \$ 38.49
418870	Head / manifold gasket B18/20			each \$ 20.12
87765	Exhaust - manifold gasket B4B			each
88003	Giude sleeve for exhaust - manifold gasket B4B			each
403546	Exhaust - manifold gasket single down pipe B16/18			each \$ 6.97
671822	Exhaust - manifold gasket double down pipe B18/B20			each \$ 3.50
191163	Bolt for manifold intake	40 mm	B16	each \$ 2.35
17624	Manifold nut	6/car	B16	each \$ 2.59
190852	Exhaust manifold nut (fits 953259)	2-3/car	B16/B18	each \$ 2.27
953259	Bolt for manifold eaxhaust side	2-3/car	B16/B18	each \$ 2.13
403546	Exhaust - manifold gasket	Single	B16/B18	each \$ 6.97
955826	Nut for 953238, -39, -40, -41, -42, -43		B16/B18/B20	each \$ 0.70
191169	Manifold washer	D=22		each \$ 2.67
419564	Gasket cover manifold	Sport	B18/20	each \$ 6.03
82744	Drainer (on engine)	34B/B16	1947-60	each \$ 19.65
82745	Drainer (on engine)	B18/B20	1962-69	each \$ 22.17
54971	Cylinder head gasket set B16			each \$ 82.79
275411	decarbonizing head gasket set B18			set \$ 60.00
275536	Cylinder head gasket set B20			set \$ 68.04
270628	Bottom Kit B18 and B20			set \$ 46.67
54325	Engine gasket set complete B4B			set \$ 113.07
54970	Engine gasket set complete B16			set \$ 125.00
275494	Engine gasket set complete B18			set \$ 100.00
275535	Engine gasket set complete B20			set \$ 100.85

273059	Engine mount for all 444/544 and Duett			each	\$	22.96
Mechanical engine parts						
276686-90	Main bearing kit (Std / 0.010" / 0.020" / 0.030" / 0.040")	B4B/B16		set	\$	107.00
276658-62	Rod bearing kit (Sizes available: Std / 0,010" / 0,020")	B16		set	\$	88.13
271214-18	Main bearing kit (Std / 0,010" / 0,020")	B18/B20		set	\$	69.45
271051-55	Rod bearing kit (Std / 0.010" / 0.020" / 0.030" / 0.040")	B18/B20		set	\$	40.50
275112/21/22/23	Piston w/ rings (Std / 0.020" / 0.030" / 0.040")	B16		set	\$	575.00
275193/9495/96/97	Piston w/ rings (Std / 0.020" / 0.030" / 0.040")	B18		each	Inquire	
272002-12-04	Piston w/ rings (Std / 0.015" / 0.030")	B20		each	Inquire	
275215-18	Piston ring set (Std / 0.020" / 0.030" / 0.040") B16			set	\$	59.96
275282-85	Piston ring set (Std / 0.020" / 0.030" / 0.040") B18			set	\$	59.95
275334-36	Piston ring set (Std / 0.020" / 0.030") B20			set	\$	49.95
403388	Intake valve B4B			each	\$	31.66
403389	Exhaust valve B4B			each	\$	31.66
403486	Exhaust valve B16			each	\$	27.73
403881	Intake valve B14A and B16			each	\$	31.98
419292	Exhaust valve B18			each	\$	11.95
419368	Intake valve B18			each	\$	10.95
419639	Intake valve B20			each	\$	19.40
419640	Exhaust valve B20			each	\$	19.40
403390	Valve guide intake/exhaust valves	8/car	B4B/B16	each	\$	9.95
415266	Valve guide intake/exhaust valves	8/car	B18	each	\$	5.50
419652	Valve guide intake valves	4/car	B20	each	\$	9.50
419653	Valve guide exhaust valves	4/car	B20	each	\$	9.02
418295	Rod bushings (Std) B18/20	4/car		each	\$	11.08
403717	Valve spring	8/car	B4B/B16	each	\$	12.06
418737	Valve spring	8/car	B18/B20	each	\$	5.50
418515	Washer under valve spring	8/car	B18	each	\$	1.17
418297	Rocker arm bushing	8/car	B18/B20	each	\$	19.79
130078	Bearing bracket stud	2/car	B16	each	\$	10.23
415424	Valve rubber seal	8/engine	B16/B18	set	\$	13.44
1306630	Valve rubber seal	12/car	B20 69-	st	\$	1.85
415035	Valve collet	16/car	B18	each	\$	2.46
921781	Nut for valve		B18	st	\$	0.37
418204UL	Cylinder head B18. Rebuilt, and converted for unleaded fuel.			each	\$	678.44
191523	Head bolt	10/car	B18/B20	each	\$	6.40
70792	Frost plug (50 mm)	4/car	B4B/B16	each	\$	3.53
418677	Frost plug (42 mm)	1/car	B18/B20	each	\$	2.59
418717	Frost plug (35 mm)	2/car	B18/B20	each	\$	2.40
418718	Frost plug (45 mm)	7/car	B18/B20	each	\$	2.40
276274	Timing gear set (Fibre)		B4B/B16	set	\$	274.40
270690	Timing gear set (Fibre)		B18/B20	set	\$	195.00
270690AL	Timing gear set (Steel/Aluminum)		B18/B20	set	\$	155.00
13236	Crank shaft felt seal strips Rear B16 B4B early B16			each	\$	2.59
19236	Crank shaft felt seal ring Front B4B			each	\$	5.05
190219	Crank shaft felt seal strips Rear B16			each	\$	2.89
190537	Crank shaft felt seal ring Front B16			each	\$	4.34
418621	Felt oil seal crankshaft Rear		B18/B20	each	\$	6.03
418622	Felt oil seal crankshaft Front		B18/B20	each	\$	6.03
430134	Gasket rear flange		B18/B20	each	\$	3.69
1218634	Crank shaft rear flange w. rubber seal (converts felt seal to oilseal)		B18/B20	set	\$	45.00
1218634	Oil seal rear for modern style sealing		B18/B20	each	\$	16.10
1276425	Oil seal front for modern style sealing		B18/B20	each	\$	9.37
11009	Fly wheel pilot bearing		B4/16/18/20	each	\$	4.50
191848	Lock ring for 11009		B16/18/20	each	\$	2.94
418663	Cover plate for 11009		B18/B20	each	\$	9.86
403193	Connecting rod bolt	8/car	B4B/B16	each	\$	7.14
150106	Nut for bolt 403193	8/car	B4B/B16	each	\$	2.46

Prices in US\$

191410	Nut for bolt 415223	B18/B20	each	\$	1.78
403075/74	Timing cover gasket	front/rear B4B/B16	each	\$	5.75
418272	Timing gear casing gasket	B18/B20	each	\$	6.41
955514	Screw for timing cover (25 mm)	2/car B18/B20	each	\$	0.65
940158	Screw for timing cover (45 mm)	7/car B18/B20	each	\$	0.98
941906	Washer for screws 955514 & 940158	9/car B18/B20	each	\$	0.18
418416	Oil nipple behind timing gear casing	1/car B18/B20	each	\$	16.32
902075	Oil plug behind timing gear casing	B18/B20	each	\$	3.35
1218706	Oil pump B18/20		each	\$	133.00
418627	Oil delivery pipe	B18	each	\$	24.64
419539	Oil delivery pipe	B20	each	\$	46.76
418360	Rubber seal for oil delivery pipe	B18/B20	each	\$	2.89
418277	Distributor drive gear	B18/B20	each	\$	122.90
418288	Oil pump strainer	B18/B20	each	\$	45.50
403017	Oil pan gasket	B4B/B16	each	\$	16.08
418262	Oil pan gasket	B18/B20	each	\$	7.30
955523/24	Bolt for sump attachment (Lengths: 16mm/19mm)	B18/B20	each	\$	0.56
89340	Oil filter B4B		each	\$	19.47
403984	Oil filter B16		each	\$	11.95
3517857	Oil filter (Original Volvo) B18/20		each	\$	12.50
3517857R	Oil filter aftermarket B18/20/ b23		each	\$	7.50
418004	Lock ring for spring 418003	16 Mann	each	\$	7.39
418005	Rubber bushing	16 Mann	each	\$	5.85
87970RS	Oil hose repair kit (Braided hose w/o fittings. Salvage original)	3/car B4B	each	\$	15.83
948187	Oil drain plug (magnetic - comes with washer 18818)	B18/B20	each	\$	7.00
190798	Oil drain plug (B16 from engine # 70563)	B18/B20	each	\$	6.41
18818	Drain plug copper gasket	B18/B20	each	\$	0.54
672910	Oil pressure sender		each	\$	10.87
403515	Oil filler cap complete (without ventilation cap)	B18/B20	each	\$	47.79
418954	Oil filler cap complete (with ventilation cap)	B18/B20	each	\$	62.15
403515Cap	Oil filler cap only (without ventilation cap)	B18/B20	each	\$	14.95
418954CAP	Oil filler cap only (with ventilation cap)	B18/B20	each	\$	14.95
940096	Gasket oil filler cap	B16/B18/B20	each	\$	2.50
460003	Hose for oil filler cap	B18	each	\$	11.03
418862C	Valve cover Chrome B18/20		each	\$	49.95
403087	Valve cover gasket B4/B16		each	\$	11.90
419678	Valve cover gasket B18/B20		each	\$	10.27
950045	Screw for valve cover B18/ B 20	4/car	each	\$	0.25
418412	Seal ring oil trap/breather pipe 1 mm dia	B18/B20	each	\$	2.52
419805	Seal ring oil trap/breather pipe 5 mm dia	B18/B20	each	\$	3.45
943706	Hose crank case ventilation	B18	m	\$	12.32
942390	Hose crank case ventilation	B20	m	\$	12.44
419422	Hose between oil trap/valve 418982		each	\$	14.26
418982	Valve		each	\$	14.68
403737	Camshaft B16		set	\$	199.00
275765	Camshaft set, Type R. (Includes lifters) B18/20		set	\$	155.00
275761-64	Camshaft set, Type A, C, D & K. (Includes lifters) B18/20		set	\$	158.00
418423	Valve lifter B18/20		each	\$	7.75
418304	Push rod B18/20		each	\$	8.45
419681	Thrust flange B18/20		each	\$	20.64
418363	Spacer ring B18/20		each	\$	8.75
150169	Camshaft nut B18/20		each	\$	7.70
910118	Woodruff key on camshaft B18/20		each	\$	4.37
10768	Camshaft nut B16		each	\$	7.58
15181	Camshaft lock washer B16		each	\$	2.46
403484	Bolt for connecting rod B16		each	\$	10.05
150106	Nut for connecting rod B16		each	\$	2.46
403110S	Cam bearing kit (Three rings) B16		set	\$	61.78
430119	Cam bearing kit (Three rings) B18/20		set	\$	40.00
9434521	Engine paint (red) original color 1 liter			\$	50.00

9434521-1	Engine paint (red) original color Spay can			\$	23.47
FUEL SYSTEM					
276223	Fuel pump repair kit glass bowl style pump AC -64			set	\$ 47.33
18780	Rubber gasket fuel pump glass bowl style			each	\$ 3.07
61830	Gasket engine/spacer/pump 2 required			each	\$ 2.22
460678	Spacer fuel pump (plastic)			each	\$ 14.57
1336184	Fuel pump B18/20 later style (no glass bowl)			each	\$ 64.00
13525	Fuel filler hose 444/544			each	\$ 14.17
121520	Filler hose clamp 444/544			each	\$ 2.53
661882	Fuel line braided pump to carbs B16			each	\$ 77.63
64757	Fuel hose, lining to fuelpump (braided)	385023		each	\$ 32.31
16218	L-shaped fitting		B16B	each	\$ 29.61
954343	L-shaped fitting	234528	B16A	each	\$ 18.05
419796	Fuel rubber hose, going to pump	385024-		meter	\$ 8.01
419797	Fuel rubber hose, from pump to carb.	385024-		meter	\$ 8.01
464728	Fuel filter in line			each	\$ 3.97
28053	Fuel tank 444/544 B16 -1961			each	\$ 333.00
260029	Fuel tank 544 B18 1962-65			each	\$ 360.00
662153	Fuel tank sender works on 6 and 12 V 444/544			each	\$ 45.00
89865	Fuel tank sender gasket			each	\$ 3.50
950021	Screw for fuel tank sender 5 required			each	\$ 0.26
955138	Screw for tank 444/544 10 required			each	\$ 0.14
191512	Fuel Hose 1/4" sold byn the foot			foot	\$ 2.10
954305	Fuel pipe under car "bundy pipe"	V/Duett		each	\$ 73.51
954322	Fuel tank / fuel hose fitting	V/Duett		each	\$ 5.24
81891	Metal collar, early filler neck			each	\$ 10.03
658049	Rubber collar, fuel filler neck 444/544			each	\$ 12.67
662463	Gas cap original			each	\$ 34.52
277360	Gas fuel cap lockable Hexagon shaped with VOLVO logo			each	\$ 83.00
16335	Rubber gasket for 662463		PV	each	\$ 4.62
89246	Fuel tank sender Duett 6 and 12V 1953-68			each	\$ 138.25
656047	Fuel filler lid (outer, in body)		Duett	each	\$ 64.06
666181	Fuel cap, inner Duett 445/210 to ch 30089-			each	\$ 14.95
656046	Fuel filler hose Duett 445 B4B/B16			each	\$ 86.22
HEATER SYSTEM					
673452	2:14 Heater control valve		1/car	each	\$ 266.00
659357	2:15 Gasket 673452 / firewall		1/car	each	\$ 3.45
660673	2:12 Heater control assembly (from lever to valve)	544/210		each	\$ 57.08
662115	2:18 Switch, heat unit	B18	12V	each	\$ 25.46
654442	2:19 Embellisher nut	B18		each	\$ 7.57
94081	Heater unit rubber button		1/car	each	\$ 2.46
81803	2:20 Heater unit rubber button		7/car	each	\$ 1.18
95261	2:1 Rubber gasket firewall - heater unit		1/car	each	\$ 7.51
659852	2:2 Rubber spacer inside heater box		1/car	each	\$ 3.70
659073	2:13 Rubber spacer inside heater box		1/car	each	\$ 2.71
659073-1	Heater gasket set			set	\$ 10.75
MS25	2:21 Mounting kit heater unit			each	\$ 6.03
13569	Heater hose, red sold per meter		B4b/B16	meter	\$ 9.33
666797	Heater hose		1/car B18	each	\$ 11.34
668944	Heater hose		1/car B18	each	\$ 14.17
943053	2:3 Heater hose black 500 mm B18			each	\$ 3.60
943053red	2:3 Heater hose, red		1/car B18	each	\$ 9.04
951789	2:4 Hose clamps original Sweedish style 19-28 mm			each	\$ 2.00
191136	Air duct rubber	LH/RH	B4B/B16	each	\$ 34.53
191041	Air duct paper / aluminum	444	1957	each	\$ 18.76
668572	Heater hose from driver side outlet to passenger side		B18	each	\$ 15.88
941425	2:5 Air duct paper / aluminum set of two "Y" to defrosters		B18	set	\$ 14.93

192574	2:6	Air duct paper / aluminum heater to "Y"	go "ctrl+f " to search macbook	B18	each	\$ 11.76
95410	2:7	Air duct intake to heater from outside		B4B/B16/B18	each	\$ 34.00
661241	2:8	Defroster jet		LEFT	B18	each \$ 8.09
419331		Water return pipe			B18	each \$ 32.88
95217	2:9	Fan motor aftermarket with impeller		12V		each \$ 128.65
94026	2:11	Fan motor rubber bushing				each \$ 2.16
660527	2:10	Heater control overlay Swedish text				each \$ 8.64
660528	2:10	Heater control overlay English text				each \$ 8.64

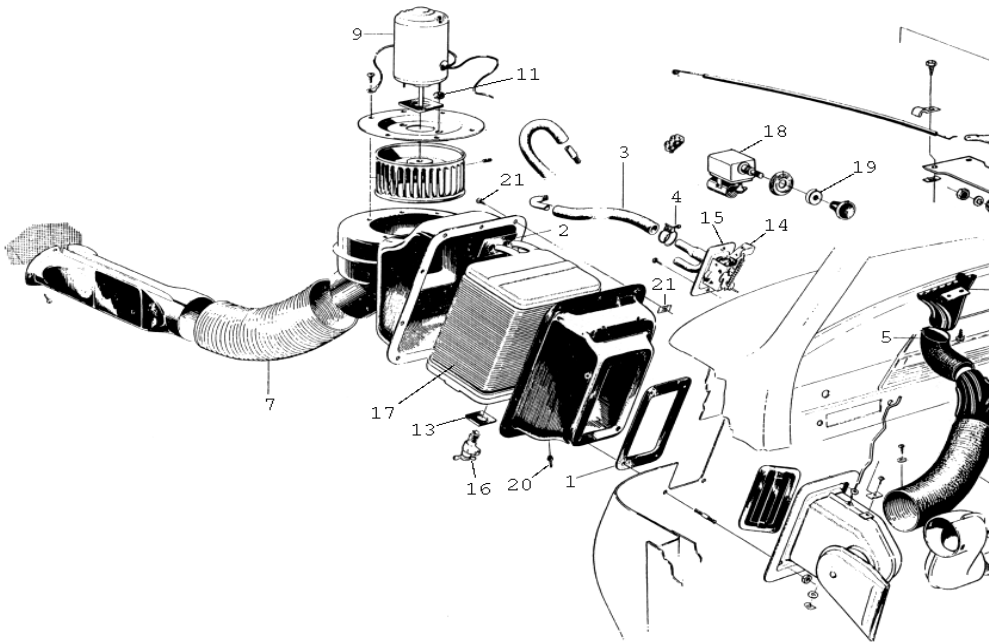


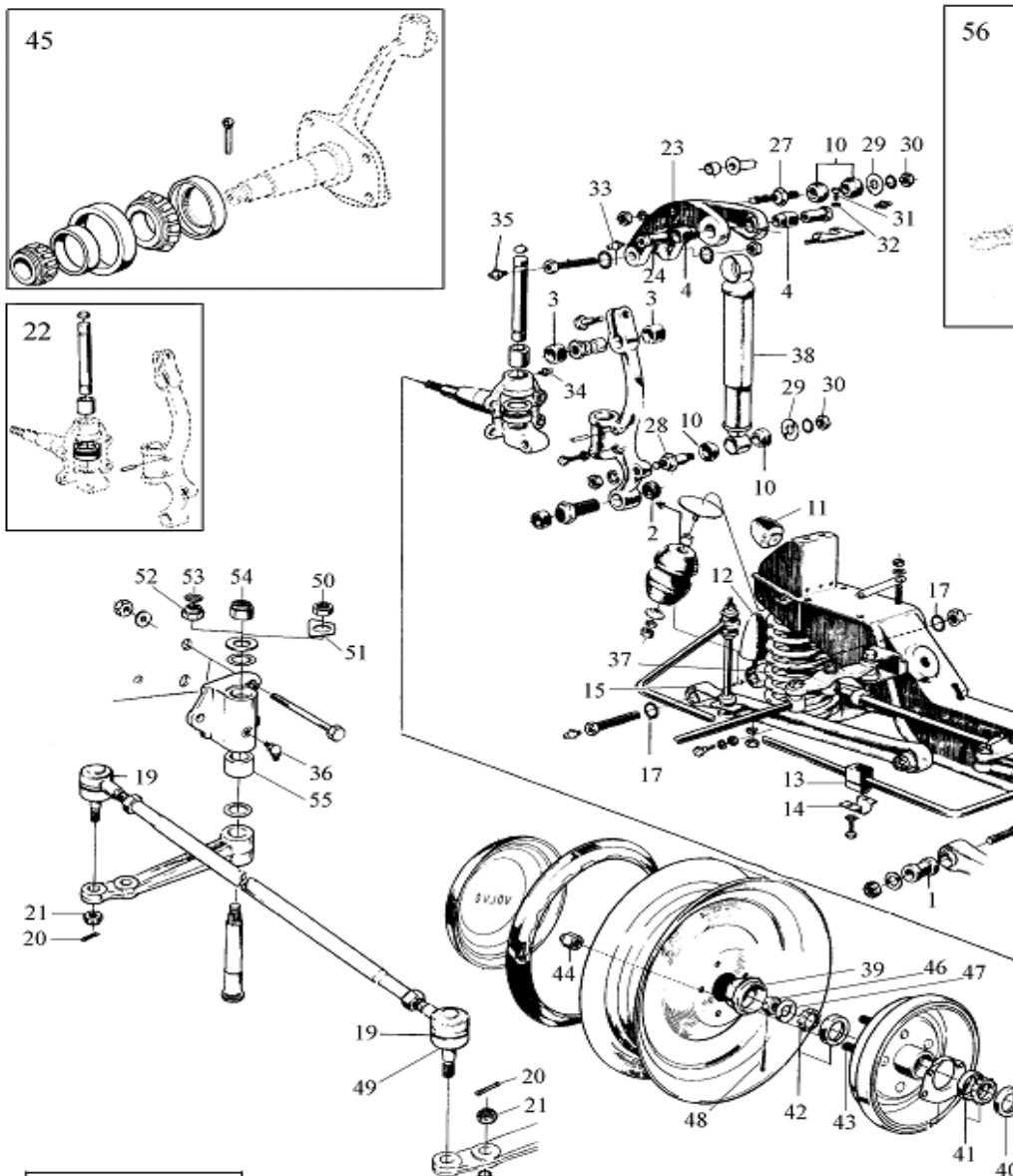
Fig 2: Heater system

GEAR BOX PART PV/DUETT

89731	Gear box transmission mount 1954-66			each	\$ 45.00
381107	Gasket gear box lid	I30/M40		each	\$ 6.63
663942	gearshifter knob 4 speed			each	\$ 27.95
275415	Gasket kit	I30/M40	-1966	each	\$ 28.97
270745	Gasket kit	M40	10 1967-69	each	\$ 38.81
380360	Back up light contact			each	\$ 16.63
191685	Seal ring gearbox, incoming axle	I40/M41		each	\$ 10.32
19933	Seal ring gearbox, outgoing axle (-1966)	1/5/6/M4	M30/M40	each	\$ 9.12
942350	Seal ring gearbox, outgoing axle (1967-)	M40		each	\$ 13.46
428					
656138	Sync. ring	4 / car	M30/M40	each	\$ 37.06
191498/99	Snap ring	I30/M40		each	\$ 5.12
86713	Spring	I30/M40		each	\$ 2.77
656514	Locating key		3/car	each	\$ 4.87
380141	Locating key		3/car	each	\$ 6.84
18651	Copper washer		4/car	each	\$ 0.59
19568	Bearing	H4/5/6	2/car	each	\$ 32.53
18431	Bearing, incoming axle	M4/H6		each	\$ 34.49
11145	Bearing, incoming axle	I30/M40		each	\$ 31.07
11013	Bearing, outgoing axle	I30/M40	-1966	each	\$ 15.87
11024	Bearing, outgoing axle	M40	1967-69	each	\$ 17.60
181120	Main axle roll	I30/M40	14/car	each	\$ 3.49
380136	Main drive pinion	I30/M40	1/car	each	\$ 111.55
656551	Thrust washer	I30/M40	2/car	each	\$ 8.71

Prices in US\$

380157	Counterlay shaft	170/M40	1/car	each	\$ 80.77
19567	Needle bearing	48/car		each	\$ 1.30
87972	Spring for ball 67089	M30/M40		each	\$ 2.83
656019/20	Rubber bushing for gear level	M30 M40/M41		each	\$ 5.18
380198	Ball socket gear level	M30 M40/M41		each	\$ 3.64
INSTRUMENTS					
87998	Speedometer cable	B4B 1947-52		each	\$ 57.47
89243	Speedometer cable	'V 53-57 Duett 56-60		each	\$ 57.47
660874	Speedometer cable	B16 3-speed H6		each	\$ 59.77
660840	Speedometer cable	B16 M4 4-speed		each	\$ 59.86
669020	Speedometer cable - 1963	B16/B18		each	\$ 35.33
670506	Speedometer cable (ch# -399135) 1964-			each	\$ 32.93
380164	Speedo meter gear 16 teeth M30/40			each	\$ 50.00
380192	Speedometer gear seal ring			each	\$ 1.95
654507	Speedometer cable rubber grommet	444/544 6/B18/B20		each	\$ 5.44
666622	Clamp choke arm			each	\$ 0.92
89047	Speedometer cable rubber grommet Duett	445/210		each	\$ 4.93
673999	Temperature sender, with instrument gauge			each	\$ 223.54
190851	Connecting nipple for temp. gauge			each	\$ 11.03
672910	Oil pressure sender			each	\$ 9.95



Prices in US\$

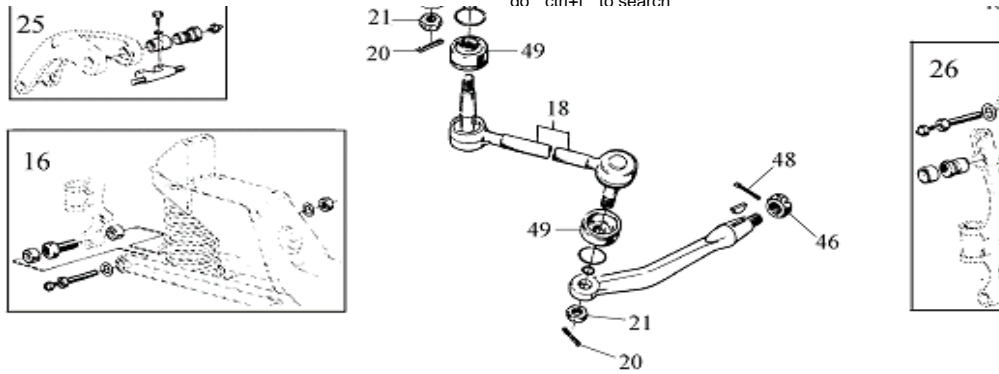


Fig 3: PV/Duett Front Suspension

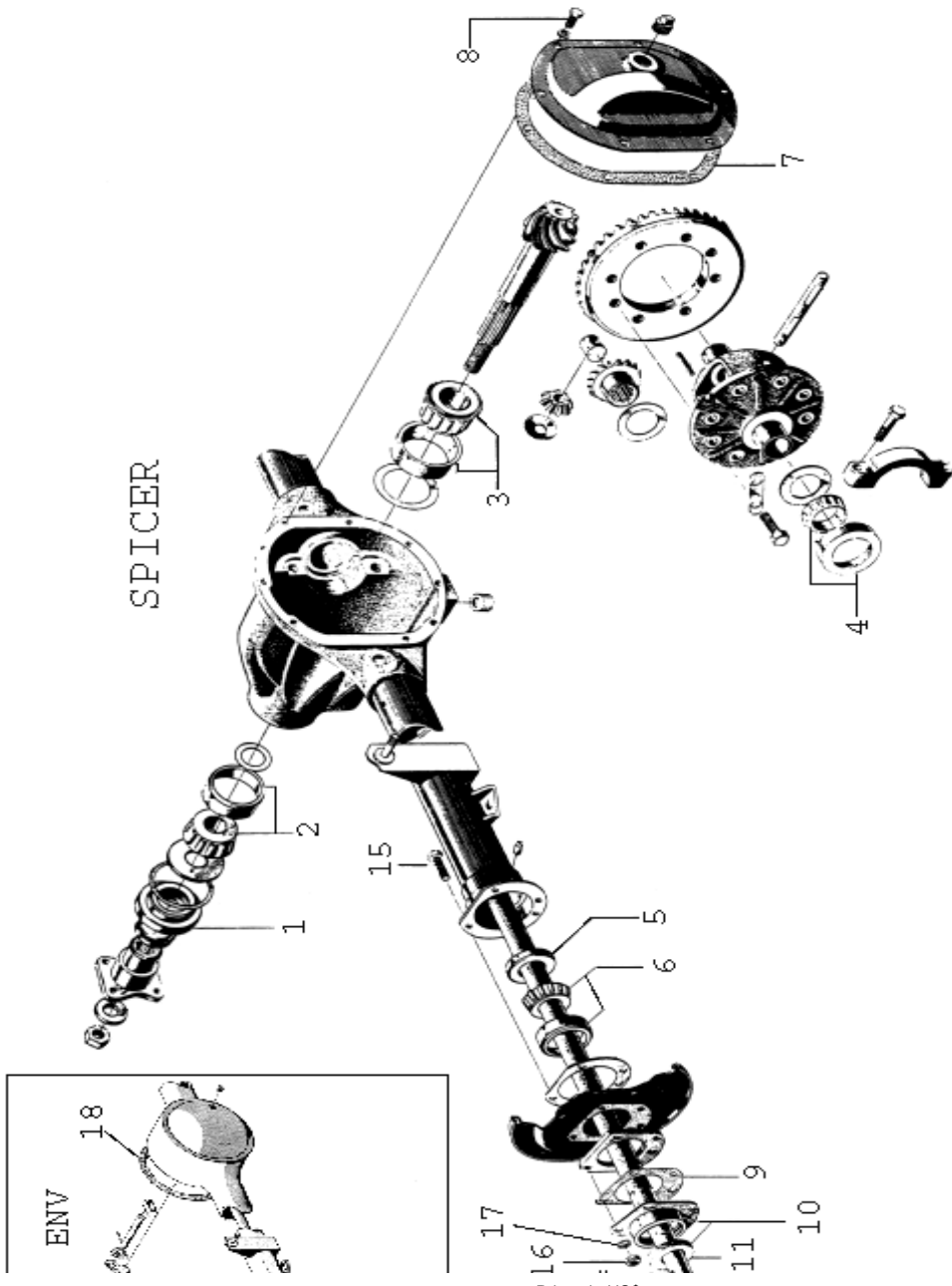
FRONT SUSPENSION PV/DUETT

87033	3:1	Control arm rubber bushing. Lower, inner rubber	4/car	each	\$	3.00
87022	3:2	Control arm rubber seal Lower, outer.	4/car	each	\$	1.50
88147	3:3	Control arm rubber seal Upper, outer.	4/car	each	\$	2.94
87028	3:4	Control arm rubberseal. Upper, inner.	4/car	each	\$	3.53
1		Set of all 16 listed seals/bushngs above		set	\$	39.49
87033PU	3:1	Control arm rubber bushing. Lower, inner polyurethane.		each	\$	4.50
87387	3:5	Sway var bolt	2/car	each	\$	10.66
955782	3:6	Nut for sway bar bolt 87387	2/car	each	\$	0.19
83126	3:7	Spacer tube washer	8/car	each	\$	1.76
87386	3:8	Sway bar spacer tube	2/car	each	\$	4.68
83125	3:9	Sway bar link rubber bushing	8/car	each	\$	1.60
2		Sway bar kit, one kit will do both sides	1/car	set	\$	39.75
89567	3:10	Shock absorber rubber bushing	8/car	each	\$	1.81
89567PU	3:10	Shock absorber rubber bushing	8/car	each	\$	2.96
83107	3:11	Rubber cushion	2/car	each	\$	14.56
83108	3:12	Rubber cushion lower control arm	2/car	each	\$	16.67
83122	3:13	Sway bar rubber bushing 1947-61	2/car	each	\$	5.60
663131	3:13	Sway bar rubber bushing 1962-	2/car	each	\$	7.50
663130	3:14	Clamp for 663131	2/car	each	\$	10.30
89221/22	3:18	Steering rod 1950-61	eft/Right	1950-61	each	\$ 74.56
661706	3:18	Steering rod left drivers side B18 1962-			each	\$ 65.00
661707	3:18	Steering rod right B18 1962-			each	\$ 65.00
658431	3:19	Tie rod end left			each	\$ 29.75
658432	3:19	Tie rod end right			each	\$ 29.75
907824	3:20	Split pin	X20 mm		each	\$ 0.22
190573	3:21	Castel nut for tie- and steering rods			each	\$ 5.29
89369	3:49	Tie- and steering rod ball dust cover		B16	each	\$ 4.00
670877	3:49	Tie- and steering rod ball dust cover		B18	each	\$ 9.15
940176	3:50	Nut	1/car	Alt 1	each	\$ 0.86
951670	3:52	Clamp	1/car	Alt 2	each	\$ 3.70
950366	3:53	Nut	1/car	Alt 2	each	\$ 0.86
950356	3:54	Nut	1/car	Alt 3	each	\$ 0.91
18133	3:55	Idler arm bushing	2/car	1947-61	each	\$ 17.74
663709	3:55	Idler arm bushing	2/car	1962-69	each	\$ 17.74
87158		Idler arm rubber seal		1947-61	each	\$ 6.53
54927		Idler arm repair kit PV 1947-61			each	\$ 64.67
276521	3:56	Idler arm repair kit PV 1962- B18			set	\$ 97.97
54017	3:22	King pin kit 1950-65	1/car		set	\$ 119.00
10521	3:46	King pin nut	early PV	M16X1,5	each	\$ 4.11
153042	3:46	King pin nut	PV/210	82-18 UNF	each	\$ 3.33
87025	3:23	Upper control arm	2/car		each	\$ 222.17
87027	3:24	Bushing upper-inner control arm	4/car		each	\$ 37.20
276547	3:25	Repair kit upper-inner control arm	2/car	1954-	set	\$ 125.11

54920	3:26	Repair kit upper-outer control arm	2/book	1947-53	set	\$ 116.09
54925	3:26	Repair kit upper-outer control arm	2/car	1954-69	set	\$ 99.62
87032	3:15	Lower control arm repair / spring seat	2/car		each	\$ 87.78
54922	3:16	Repair kit lower-outer control arm bushings	2/car		set	\$ 72.53
18872		Lock washer	8/car		each	\$ 0.43
87052		Shock absorber bolt, lower		444A	each	\$ 13.98
89568	3:27	Shock absorber bolt (&washer), upper	2/car		each	\$ 24.52
89569	3:28	Lower bolt front shockabsorber	2/car		each	\$ 24.52
960145	3:29	Washer for bolts 89568 & 89569	4-8/car		each	\$ 4.45
955818	3:30	Nut for 89568 & 89569	4-8/car		each	\$ 2.91
941450	3:31	Bolt (UNF) upper inner control arm	4/car		each	\$ 6.66
955924	3:32	Spring washer for 941950	4/car		each	\$ 0.56
914169	3:33	Grease nipple upper inner control arm	4/car		each	\$ 2.03
914167	3:34	Grease nipple king pin	4/car		each	\$ 1.54
951739	3:35	Grease nipple outer control arm upper/lower	4/car		each	\$ 1.54
914170	3:36	Grease nippl idler arm	1/car		each	\$ 2.22
6		Front suspension grease nipple set			set	\$ 16.47
87935	3:37	Coil spring front all			each	\$ 59.95
276440	3:38	Shock absorber front Monroe			each	\$ 36.00
3-6019	3:38	Shock absorber front (BILSTEIN)			each	\$ 175.91
87465	3:39	Grease cap	2/car		each	\$ 11.59
87464	3:47	Thrust washer	2/car		each	\$ 9.37
88640	3:40	grease seal	2/car		each	\$ 14.25
181130	3:41	Roller bearing (cone & cup)	2/car		each	\$ 29.14
18448	3:42	Roller bearing (cone & cup)	2/car		each	\$ 29.14
88641		Baffle	2/car	ch-207865	each	\$ 8.38
273160		Front wheel bearing kit		PV/Duett	set	\$ 65.09
654490	3:43	Brake drum stud	20/car		each	\$ 6.67
87699	3:44	Lug nut	20/car		each	\$ 1.62
		REAR SUSPENSION PV				
87062	4:1	Support arm rubber bushing	each		each	\$ 16.43
87062PU	4:1	Support arm polyurethane bushing set of 4	set		each	\$ 19.95
654956	4:2	Rubber bushing around ENV rear axel	1947-56		each	\$ 65.15
655557	4:2	Rubber bushing around Spicer rear axel	1957-66		each	\$ 25.00
655557PU	4:2	Bushing around Spicer rear axel Polyurethane	1957-66		each	\$ 22.50
955804	4:16	Nut for U-bolt	1947-66		each	\$ 4.44
654957	4:17	U-bolt	1957-66		each	\$ 28.83
87055		Rubber cushion on body	2/car		each	\$ 33.33
661159	4:3	Torque rod rubber bushing	1957-66		each	\$ 15.05
661159PU	4:3	Torque rod bushing polyurethane	1957-66		each	\$ 8.00
661158	4:4	Bracket for 661159	2/car		each	\$ 5.85
83107	4:5	Rubber cushion under bracket	1957-66		each	\$ 14.05
87092	4:6	Washer (stainless steel) at coil springs	4/car		each	\$ 13.00
670129	4:7	Rubber bushing upper shock absorber	4/car		each	\$ 1.66
89567	4:8	Bushing lower shock absorber	4/car		each	\$ 1.81
89567PU	4:8	Shock absorber rubber bushing	8/car		each	\$ 2.96
11982	4:9	Washer lower chock absorber	2/car		each	\$ 3.35
660108	4:10	Limiting strap	2/car		each	\$ 7.94
89818	4:11	Washer (stainless) for 660108	2/car		each	\$ 6.63
MS14		Limit strap mounting kit	1/car		set	\$ 2.81
87033	4:12	Rubber bushing for stabilizing rod	2/car		each	\$ 2.50
87033PU	4:12	Rubber bushing for stabilizing rod	polyurethane	black	each	\$ 4.74
87054	4:13	Coil spring rubber spacer	2/car		each	\$ 6.43
		Coil spring kit sport PV Linear lower 1"				
87936	4:14	Rear Coil spring	2/car	PV	each	\$ 59.95
87937	4:14	Coil spring kit sport PV Linear lower 1"	1/car		each	\$ 240.00
276442	4:15	Shock absorber rear (Monroe) Oil	2/car	PV	each	\$ 36.61

DUETT REAR AXLE PARTS

80749	5:1	Spring bolt front leaf spring bracket	2/car	In 54396	each	\$ 36.23
80750	5:2	Leaf spring front bushing	6/car	In 54396	each	\$ 17.99
83153	5:3	Spring bolt rear leaf spring bracket	4/car	In 54396	each	\$ 38.50
83197	5:4	Hanger	4/car	In 54396	each	\$ 21.47
659765	5:5	Spacer tube, rear bracket	2/car	In 54396	each	\$ 4.19
191504	5:6	Bolt rear leaf spring bracket	2/car	In 54396	each	\$ 3.20
955895	5:7	Washer rear leaf spring bracket	2/car	In 54396	each	\$ 0.10
950364	5:8	Nut rear leaf spring bracket	2/car	In 54396	each	\$ 0.52
951739	5:9	Spring bolt lubricator	6/car	In 54396	each	\$ 1.54
955954	5:10	Lock washer front leaf spring bracket	2/car	In 54396	each	\$ 0.38
83247	5:11	Cork gasket rear leaf spring bracket	2/car	In 54396	each	\$ 2.51
662025		Leaf spring bush 80750 with anchorage	2/car		each	
953883	5:13	U-bolt for leaf spring	4/car		each	\$ 43.31
955813	5:14	Nut for U-bolt	8/car		each	\$ 4.68
89561	5:15	Leaf spring buckle	4/car		each	\$ 2.39
89563	5:16	Leaf spring metal strap	4/car		each	\$ 3.20
89565	5:17	Leaf spring strap rubber band	4/car		each	\$ 7.44
89566	5:18	Leaf spring rubber washer	16/car		each	\$ 5.32
276441	5:19	Shock absorber	2/car	Duett	each	\$ 87.66



Prices in US\$

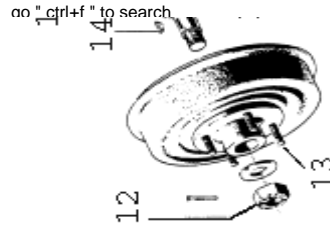
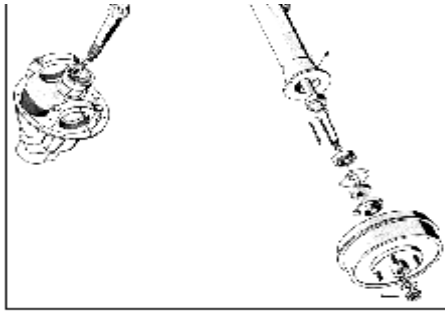


Fig 6: Pinion and oil seals PV/210

PV/Duett Pinions & oil seals					
88391	Pinion oil seal	1/car	ENV	each	\$ 25.87
942905	6:1 Pinion oil seal	1/car	Spicer	each	\$ 9.95
181302	6:2 Outer/inner cup Pinion		All	each	\$ 37.69
181304	6:3 Outer/inner cup Pinion		All	each	\$ 38.77
181306	6:4 Outer/inner cup, differential	M27		each	\$ 66.77
181662	6:4 Outer cup, differential	M30	B20	each	\$ 29.95
87661	Pinion gasket		ENV	each	\$ 5.73
	Pinion shim (different sizes are available)			each	
114046	Oil seal rear axle	2/car	ENV	each	\$ 14.05
114275	6:5 Oil seal rear axle Spicer	2/car		each	\$ 13.05
192550	6:5 Oil seal rear axle ENV and Spicer	2/car		each	\$ 11.46
19577	6:6 Rear axle bearing (Duett - Spicer ch < 80224)	2/car		each	\$ 46.81
181189	6:6 Rear axle bearing (Duett - Spicer ch > 80224)	2/car	Spicer	each	\$ 74.11
86971	Inspection cover	1/car	Spicer	each	\$ 94.01
87670	6:18 Inspection cover gasket	1/car	ENV	each	\$ 12.20
89254	6:7 Inspection cover gasket	1/car	Spicer	each	\$ 5.95
955523	6:8 Inspection cover bolt	10/car		each	\$ 0.56
1484	Rear wheel Bearing kit	2/car	ENV	set	\$ 76.47
1485	Rear wheel Bearing kit	2/car	Spicer	set	\$ 110.00
FT200	Lube / grease	200g		each	\$ 7.71
673788	6:9 Gasket rear axle - brake shield	4/car		each	\$ 4.40
657579	6:9 Gasket rear axle - brake shield	4/car	445/210	each	\$ 5.12
89251R	6:11 Seal for metal cap 89251	2/car	210 -80224	each	\$ 10.90
673791	6:10 Oil seal (metal housing + felt ring)	2/car		each	\$ 24.87
19246	6:11 Felt ring	2/car		each	\$ 4.93
153031	6:12 Castle nut	2/car	Spicer	each	\$ 10.88
10506	6:12 Castle nut	2/car	ENV	each	\$ 4.22
654490	6:13 Wheel stud	0/20/car		each	\$ 7.54
87699	Lug nut	20/car		each	\$ 1.51
87699L	Locking wheel nut (set of four + key)	1/car		each	\$ 22.67
160553	6:14 Flat key	2/car		each	\$ 10.78
955676	6:15 Bolt (holds seals together)	8/car		each	\$ 1.03
955848	6:16 Nut	8/car		each	\$ 0.37
940097	6:17 Washer	8/car		each	\$ 0.13
955950	6:18 Lock washer	8/car		each	\$ 0.26
STEERING BOX / IDLER ARM					
114271	Oil seal steer box (lower)	1/car		each	\$ 12.29
85627	Brass bushing	2/car		each	\$ 10.47
656704	Gasket (paper)	1/car		each	\$ 2.16
656707/08/09	Shim	0,1/0,12/0,15		each	\$ 4.25
955921	Spring washer	2/car		each	\$ 0.14
190296	Lockwasher, adjustable	2/car		each	\$ 0.92
54929-1	Kit for steering box (above parts)	1/car		set	\$ 32.00
54926	Kit for steering box ZF 444	1/car	B4B/B16	set	\$ 37.51
89937	Rubber grommet, steering axle / firewall		1954-68	each	\$ 20.59
671430	Locking washer steering wheel nut	1/car		each	\$ 2.03

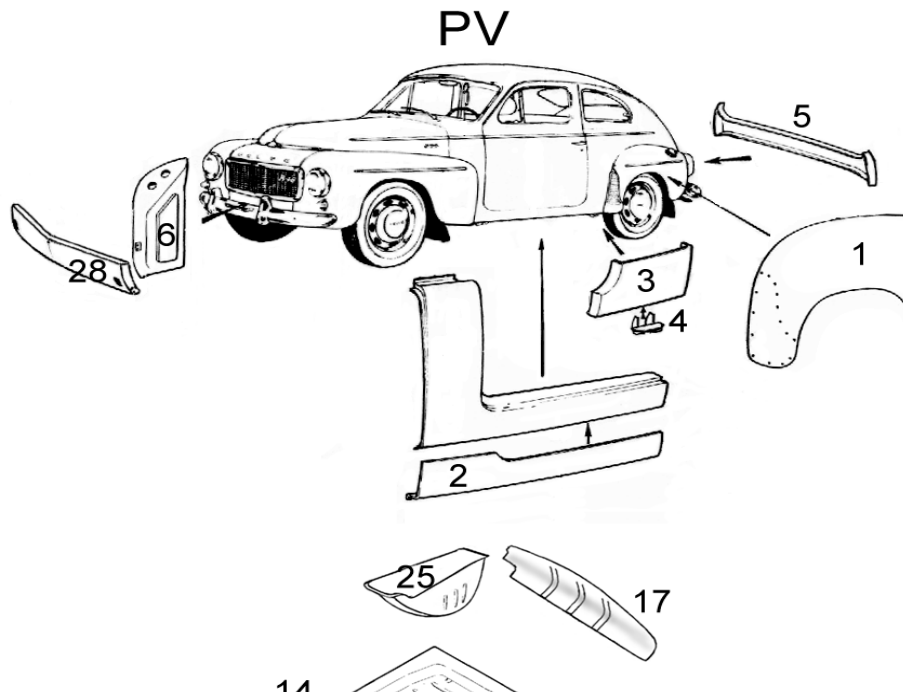
Prices in US\$

666813	Housing directional indicator on steering column	444	1947-53	each	\$	47.00
9992325	Steering wheel removal tool	544/210		each	\$	44.35
Drive Shaft Parts						
1217606	Universal joint,	3/car		each	\$	19.85
192554	grease nipple			each	\$	1.37
273202	U joint bolt kit	3/car		each	\$	12.95
15260	U joint lock washer early style			each	\$	2.77
86442	Rubber bushing propeller shaft	44 -1956	2/car	each	\$	6.59
653192	Rubber bushing propeller shaft	1957-68	2/car	each	\$	4.50
181261	Center bearing	44/Duett	1/car	each	\$	39.00
15550	Gasket (cork)	44/Duett	1/car	each	\$	10.35
GAS/CHOKE LINKAGE						
81068	Gas pedal (complete)	444	1947-53	each	\$	43.11
660533	Gas pedal rubber	44/Duett	1958-69	each	\$	5.36
81803	Rubber stop under gas pedal		1/car	each	\$	1.18
81061	Gas pedal grommet	444/445	1947-56	each	\$	23.67
653218	Dust boot firewall gaspedal linkage B16	44/Duett	B16	each	\$	10.67
661967	Dust boot firewall gaspedal linkage B18	44/Duett	B18	each	\$	12.88
663304	Gas linkage bushing engine compartment	2mm	B16	each	\$	3.56
666143	Gas linkage bushing engine compartment	4mm	B16	each	\$	2.53
		2/car	B18/B20	each	\$	2.69
418963	Throttle return spring for SUH6 carb			each	\$	4.93
117136	Control rod		late B4B	each	\$	13.30
191203	Control rod		B18B/D	each	\$	13.30
959088	Ball joint(with ball & locking brace)		RH 6/B18/B20	each	\$	5.18
942837	Ball joint(with ball & locking brace)		LH 6/B18/B20	each	\$	5.24
660987(661505)	Axle		B4B	each	\$	20.88
661963	Main shaft	-1966	B18A	each	\$	32.53
657486	Anchorage for pedal shaft	217668	B16A	each	\$	3.35
71676	Carburetor connection	247206	B16B	each	\$	12.50
106837	Screw for 71676	247206	B16B	each	\$	0.34
276382	Pull rod	295499	B16A	each	\$	37.51
55192	Choke wire, single carburetor	B4B/B16/B18/B20		each	\$	21.28
55192-2	Choke wire, double carburetor	B16/B18/B20		each	\$	29.95
40136	Speedometer cable rubber grommet PV		B4B	each	\$	2.10
654507	Speedometer cable rubber grommet PV			each	\$	5.12
71679	Stirrup wire with 2 retainers and screws		B16B	each	\$	23.92
71678	Retainer for carb B16B					
237017	Lock screw to 71678		B16B	each	\$	0.84
21882	Retainer for choke wire (included with 55192 & 55192-2)		B16B	each	\$	4.00
418561	Retainer inner choke wire	2/car	B18 B/D	each	\$	6.33
950003	Screw for retainer	2/car	B18 B/D	each	\$	0.99
WINDSHIELD WIPERS						
95920	Wiper blade	444	1947-57	each	\$	18.76
682706	Wiper blade 12 " Trico Silver Finish	544/210	1958-69	each	\$	13.60
682705	Wiper arm bayonet end	544/210	1958-69	each	\$	26.13
658240	Wiper arm hook end	544/210	1958-69	each	\$	24.85
658174	Wiper post rubber grommet outer	2/car		each	\$	6.32
658175	Wiper post rubber grommet inner	2/car		each	\$	6.32
190735	Chrome sleeve for 658174	2/car		each	\$	5.83
190734	Chrome nut for 190375	2/car		each	\$	5.18
Windshield washer						
668066	Washer nozzle / sprayer	2/car		each	\$	14.50
40136	Rubber grommet for washer hose at firewall	383549		each	\$	2.10
96443	Rubber grommet for washer hose at firewall	383550-		each	\$	5.99
191472	Hose between washer & elbow & pump 3-way union	B16	"Rubber"	meter	\$	3.63
659250	Hose between pumpthreeway union & washer nozzle	B16	"Rubber"	meter	\$	3.10
192580	Hose between pumpthreeway union & washer nozzle	B18	"Plastici"	meter	\$	1.85
192581	Hose between washer pumpthreeway union	B18	"Plastic"	meter	\$	1.85

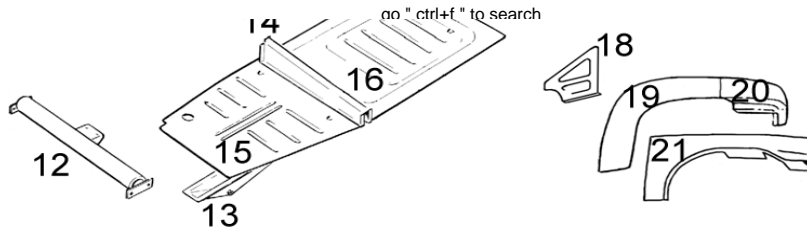
659248	3-way union	B16/B18	each	\$	2.59
659285	L connection	B16	each	\$	0.84
663641	Elbow nipple for 666977	B16	each	\$	1.66
667352	Non-return valve for 666977	B16	each	\$	5.01
671723-1	Water reservoir (square - REPRO)		each	\$	46.31
688400	Washer pump w/ motor	B18	each	\$	119.53
672408	Bracket for square style reservoir		each	\$	14.00
CHROME TRIMS & BUMPERS					
96294/5	Rear bumperette Duett 445 210 left/right		each	\$	222.92
651837/38	Bumper rear side section left/right 1954-66		each	\$	230.45
658248	Bumper rear centre section 1958-66		each	\$	200.00
657385/86	Rear bumperette (bumperhorns)	LH/RH 44 1958-66	each	\$	143.23
661695/96	Front bumper side section PV/DUETT	LH/RH 1954-68	each	\$	192.00
88587	Front bumper mid section PV	1954-59	each	\$	222.92
661697	Front bumper center section PV/Duett	1960-68	each	\$	230.58
661248	Front bumperette PV/Duett	Left/Right 1954-68	each	\$	132.46
276421	Front bumper mounting kit	1/car FRONT	set	\$	22.25
276420	Rear bumper mounting kit	1/car REAR	set	\$	28.08
190373	Chrome bumper bolt with nut and washer		each	\$	4.85
955827	Nut for 190373		each	\$	0.25
950354	lock washer for bolt 190373		each	\$	0.15
667075	Rubber grommet round for overrider tube	4/car	each	\$	3.87
655768	Grille surround (chromed) PV/Duett	1957-68	each	\$	480.00
276463	Grille mounting kit	1957-68	set	\$	5.44
Bumper bracket rubber grommets					
87295	Front bumper bracket grommet PV 444/544	2/car	each	\$	10.29
86895	Front bumper bracket grommet Duett 445 and 210	2/car	each	\$	14.67
MS11	Mounting kit front brackets	PV	set	\$	4.03
MS11A	Mounting kit rear brackets	PV 1954-66	set	\$	4.03
MS11B	Mounting kit rear brackets	PV 1951-53	set	\$	6.03
EXHAUST SYSTEMS					
CV0K2	Exhaust system - Duett	B16 1957-61	set	\$	388.54
290060	Exhaust system - Duett	B18 1962-66	set	\$	326.30
290070	Exhaust system - Duett	B18/B20 1967-68	set	\$	331.68
290020	Exhaust system - PV B16 1957-61		set	\$	266.00
290030	Exhaust system - PV	B18 1962-66	set	\$	305.00
025K5	Exhaust system - PV 2" Sport	B18 1961/2-66	set	\$	368.00
418405	Exhaust manifold	B18D SPORT	each	\$	232.84
418545	Exhaust manifold	B18 -1965	each	\$	232.84
				\$	-
VO30101	Stainless exhaust system - PV	B16 1957-61	set	\$	627.83
VO30201	Stainless exhaust system - PV	B18 1962-66	set	\$	734.44
Exhaust system parts					
PV B4B/B16					
660514	Downpipe incl. Front silencer	34B/B16 1957-61	each	\$	104.10
89819	Intermediate pipe	34B/B16 1947-61	each	\$	38.44
659557	Silencer	34B/B16 Ch 226238-	each	\$	91.60
659555	Tail pipe	34B/B16 Ch 226238-	each	\$	14.85
657784	Clamp for down pipe	34B/B16	each	\$	2.83
87299	Hook intermediate pipe	34B/B16 ch -238047	each	\$	2.79
81622	Clamp intermediate pipe	B4B 2/car	each	\$	12.20
87762	Clamp	B4B		\$	4.57
86442	Rubber bushing	34B/B16 ch -238047	each	\$	6.59
657784	Clamp intermediate pipe	34B/B16 ch -238047	each	\$	2.83
658653	Rubber bushing	B16/B18 148-379035	each	\$	5.00
87760	Clamp intermediate pipe RH	B4B		\$	4.37
659921	Clamp intermediate pipe outer	B16/B18	each	\$	5.67
659922	Clamp intermediate pipe inner	B16/B18 148-379035	each	\$	5.67
191466	Clamp intermediate pipe	B16/B18 148-379035	each	\$	4.44
89815	Metal strip for rear silencer/tailpipe	B16/B18	each	\$	1.54

Prices in US\$

89817	Rubber strip for rear silencer/tailpipe		each	\$	2.34
89838	Washer for 89817		each	\$	0.84
Duett B16					
659557	Silencer	B16	each	\$	91.60
654971	Tailpipe	B16	each	\$	29.51
87759	Clamp for downpipe	34B/B14	each	\$	6.71
657784	Clamp for downpipe	B16	each	\$	2.83
81622	Clamp in front of silencer	34B/B14 B16 X 2st	each	\$	12.20
86980	Clamp behind silencer	34B/B14	each	\$	5.54
656307	Spacer between clamp & rubber strip	B16	each	\$	3.03
PV B18					
663908	Front exhaust pipe		each	\$	43.00
667144	Front muffler silencer		each	\$	90.00
663924	Intermediate pipe		each	\$	64.00
666213	Rear muffler silencer		each	\$	70.40
659555	Tailpipe		each	\$	16.15
663939	Support exhaust	B18	each	\$	18.95
663794	Bracket front exhaust pipe	-379035 xcl 378758	each	\$	17.35
192040	Clamp for bracket 663794	-379035 xcl 378758	each	\$	4.85
192204	Clamp behind silencer & intermediate pipe		each	\$	3.51
192257	Clamp intermediate pipe	-379035 xcl 378758	each	\$	4.00
Duett B18					
666086	Front exhaust pipe	n- 83399 1961-66	each	\$	59.13
672198	Front exhaust pipe	n 83400- 1967-69	each	\$	82.48
666213	Front silencer		each	\$	82.48
666088	Intermediate pipe		each	\$	44.95
659557	Rear silencer		each	\$	91.60
666089	Tailpipe		each	\$	16.15
663794	Bracket front exhaust pipe		each	\$	15.83
192040	Clamp for bracket 663794		each	\$	5.03
668519	Bracket front exhaust pipe		each	\$	3.51
666208	Rubber bushing for bracket 668519 & 668518	3/car	each	\$	5.59
192040	Clamp for bracket 668519		each	\$	5.03
668518	Bracket behind front silencer		each	\$	8.69
191466	Bracket in front of rear silencer	2/car	each	\$	4.43
666133	Clamp tailpipe		each	\$	6.84
192203	Clamp		each	\$	6.34
276499	Mounting kit for exhaust system incl. Screws & nuts	1/car	each	\$	77.00



Prices in US\$



Duett

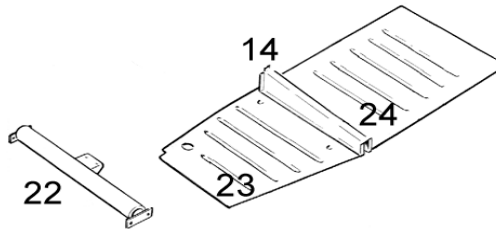
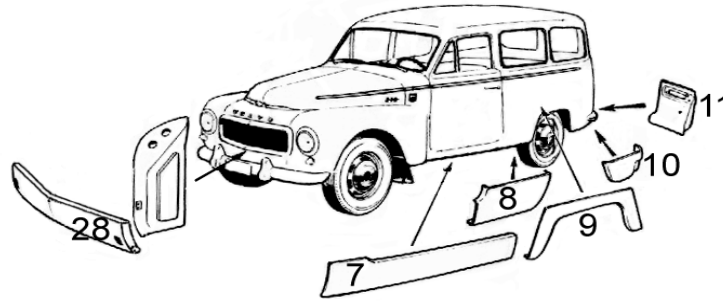


Fig 2: Sheet Metal Parts and Fenders PV/Duett

SHEET METAL PV/DUETT

87503/04	Front fender wing		LH/RH	each	\$ 1,356.88
255	Wing sealer	2/car		each	\$ 6.84
HG25301	Body sealer			each	\$ 15.03
106830	Screw front wing	original"		each	\$ 1.69
276466	Mounting kit front fender	2/car	1954-66	set	\$ 20.59
13220	Fender welt set for one PV 444/544 28 feet			set	\$ 27.95
93992/93	2:14 Seat support		LH/RH	each	\$ 67.47
234/241	Aluminum wheel arch splash plates		ront/rear	pair	\$ 245.16

SHEET METAL PARTS PV

88596/97	2:1 Rear fender		LH/RH	each	\$ 683.83
276467	Rear fender/wing mounting kit		2/car	set	\$ 9.63
87781	Stone guard rear wing left			each	\$ 35.60
87782	Stone guard rear wing right			each	\$ 35.60
657988	2:12 Cross bar under radiator	1947-60		each	\$ 52.40
663243	2:12 Cross bar under radiator	1961-66		each	\$ 53.58
93992/93	2:14 Seat support		LH/RH	each	\$ 67.47
226/227	2:21 Rear body side panel repair		LH/RH	each	\$ 117.04
666508/09B	2:20 Pressed body panel, rear half of rear fender		LH/RH	each	\$ 170.00
666508/09F	2:19 Pressed body panel, front half of rear fender		LH/RH	each	\$ 178.63
659731/32	Rear fender plate, front part		LH/RH	each	\$ 204.61
659731-1 / 32-1	Rear fender plate, rear part		LH/RH	each	\$ 204.61
673658/59	2:3 Repair panel front of rear wing		LH/RH	each	\$ 50.00
672069/70	2:2 Rocker panel below door		LH/RH	each	\$ 74.00
92737	2:5 Outer panel below trunk lid (Rear valance)			each	\$ 150.00
233	2:17 Trunk floor repair			each	\$ 63.00
663219-1	2:28 Repair panel front (lower)		PV	each	\$ 165.25
663199	2:6 Side of front repair panel		Left 1947-61	each	\$ 70.96
663200/01	2:6 Side of front repair panel (Left: B18, Right: all)		L/R	each	\$ 88.05
658440	2:4 Jack point		/car 444 4/car 544	each	\$ 37.83
92683	2:13 Member under floor panel			each	\$ 64.14

Prices in US\$

663591/92	2:18	Floor repair panel under rear seat			each	\$	65.97
658389/90	2:15	Front floor repair panel (pressed ribs)			each	\$	61.76
658391/92	2:16	Rear floor repair panel (pressed ribs)			each	\$	52.26
96620	2:25	Spare wheel well		PV	each	\$	334.00
Duett Sheet metal parts							
96045/46	2:11	Repair panel at rear light, outer		LH/RH	each	\$	148.07
96165/66	2:11	Repair panel at rear light, inner		LH/RH	each	\$	124.18
672069/70D	2:7	Rocker panel		LH/RH	each	\$	64.07
96021		Wheel house, outer		Left	each	\$	225.00
672180/81	2:8	Repair panel behind rocker		LH/RH	each	\$	43.98
672182/83	2:10	Repair panel behind wheel arch		LH	each	\$	61.38
672188	2:9	Repair panel rear wheel arch		LH/RH	each	\$	53.38
656179		Rear cross member			each	\$	114.97
86913/14		Splash shield		LH/RH	each	\$	112.00
663219-2	2:28	Repair panel front lower part			each	\$	158.30
657988	2:22	Cross bar under radiator	445/210	-60	each	\$	52.39
663244	2:22	Cross bar under radiator	210	1962-68	each	\$	56.63
96014/15	2:23	Front floor repair panel		LH/RH	each	\$	62.41
96016/17	2:24	Rear floor repair panel		LH/RH	each	\$	62.41
96018		Set of 4 floor pans Duett 445/210			set	\$	226.15
90991		Metal stip retainer for door rubber seal 544 per meter			per meter	\$	23.33
Miscellaneous							
81052		Rubber spacer Frame - body	445/210	16/car	each	\$	3.07
81052-1		Rubber spacer set (16 x 81052)	445/210		set	\$	38.50
001		Sound deadning sheet floor panels (self adhesive) 1 Sq meter			m2	\$	31.67
MUD FLAPS							
657490		Front mudflap		PV	pair	\$	35.00
657489		Front mudflap bracket (stainless)		PV	each	\$	15.50
MS6		Mounting kit PV front mudflap and bracket		PV	set	\$	5.22
659186/87		Rear mudflap		PV	each	\$	24.55
276518/19		Rear mudflap plate		PV	each	\$	22.80
MS6A		Mounting kit PV rear mudflap and plate		PV	set	\$	8.93
657479		Front mudflap		Duett	pair	\$	42.75
86978		Front bracket stainless steel		Duett	each	\$	16.19
MS7		Mounting kit 445/210 front mudflap and bracket		Duett	set	\$	6.22
277247/48		Rear mudflap (ch# -77709)		Duett 1953-66	pair	\$	47.84
671623/24		Rear mudflap (ch# 77710-)		Duett 1967-68	pair	\$	42.70
95889/90		Rear mudflap plate		Duett	each	\$	20.58
MS7A		Mounting kit 445/210 rear mudflap and plate		Duett	set	\$	5.22
BODY CHROME TRIM							
658090		Dashboard trim set 4 pieces	°V/Duett	1/car	each	\$	106.72
663973		Fastener dash trim		6/car	each	\$	0.75
191366		Clips for radio emblem			each	\$	0.20
94409		Chrome trim fenders and rear on body		PV 6/car	each	\$	67.50
94410		Chrome trim door		PV 2/car	each	\$	61.38
655796		Chrome trim hood	°V/Duett	2/car	each	\$	60.29
655798		Chrome trim cowl side	°V/Duett	2/car	each	\$	43.33
656849		Chrome trim door		Duett	each	\$	44.95
96351		Chrome trim door		Duett	each	\$	50.70
95384		Clips for side chrome trim		ca 50/car	each	\$	0.73
95384-1		Clips for side chrome trim set of 50			set	\$	27.36
654585		Clips threaded for end of wing/fender trim	°V/Duett	8/2/car	each	\$	3.24
MM4		Nut for 654585	°V/Duett	8/2/car	each	\$	0.07
657435		Chrome trim windshield left	°V/Duett	1958-68	each	\$	109.25
657436		Chrome trim windshield right	°V/Duett	1958-68	each	\$	109.25
660151		Joint pieces chrome trim	°V/Duett	2/car	each	\$	12.21

657437-38	Chrome trim rear window PV 544 sold as a set only			each	\$	173.38
96854	Chrome trim door panel incl.mount.kit	PV	2/car	each	\$	44.63
Hubcaps						
87107	Hubcap "Volvo" text not painted		1947-62	each	\$	95.00
654108	Hubcap red "V" center not painted		1963-64	each	\$	95.00
670437	Hubcap black "V" center		1965-67	each	\$	57.61
190	Decal hubcap red V	4/car	1947-62	each	\$	5.43
191	Decal hubcap Volvo text	4/car	1963-64	each	\$	5.43
613014	Steel rim 15"x5.5 "			each	\$	115.00
88754	Trim ring 15" 1951-64			each	\$	67.47
CLUTCH						
659699	Clutch disc B4/B16 new				\$	133.00
	Clutch kit B16 not available as a substitute use					
	271263+672122					
419426	Clutch kit with bearing B18/20			each	\$	236.92
271263	Clutch kit w/o bearing B18/20			set	\$	189.00
181428	Clutch release bearing B16			each	\$	81.33
380569	Clutch release bearing 36.5 mm	B18/B20		each	\$	37.16
672122	Clutch release bearing 43 mm			each	\$	65.00
663994	Rubber protector clutch fork B18	1/car	B18	each	\$	22.04
87404	Pedal axel w/ grease nipple and plug)		1/car	each	\$	44.35
180224	Grease nipple for pedal axle 87404		1/car	each	\$	5.85
662188	Pedal axle brass bushing		4/car	each	\$	12.67
87490-1	Pedal axle seal kit			set	\$	4.66
83079	5 Clutch/brake pedal rubber	V/Duett	2/car	each	\$	6.95
87130	6 Rubber damper gomet brake/clutch pedal		2/car	each	\$	2.59
Item Clutch pedal linkage						
662214	17 Clutch intermediary shaft PV 544 B18			each	\$	39.26
662213	17 Clutch intermediary shaft Duett 210 B18			each	\$	32.15
662226	21 Anchorage outer intermediary clutch shaft 544 B18			each	\$	32.40
662195	Anchorage outer intermediary shaft Duett 210 B16			each	\$	49.42
662222	18 Anchorage inner intermediary shaft 544 / 210 B18			each	\$	28.46
86839	Bracket outer susp.of main shaft Duett B16			each	\$	21.74
655995	Bushing clutch cross shaft inner B16	1/car		each	\$	6.80
662224	22 Bushing Clutch intermediary shaft 544/ 210 B18	2/car		each	\$	8.38
86970	38 Return spring clutch pedal			each	\$	6.62
660045	25 Adjuster link B16/B18			each	\$	40.00
87120	15 Link clutch pedal - middle axle	PV	444/544	each	\$	10.75
191611	15 Link clutch pedal - middle axle	Duett	B18	each	\$	11.59
907849	24 Split pin for link clutch	V/Duett	B16/B18	each	\$	0.37
655983	26 Adjuster nut for pull rod B16/18			each	\$	12.67
655984	30 Shell for bushing clutch (behind 655985)	B16/B18		each	\$	7.84
655985	29 Rubber cusion on adjuster pushrod	B16/B18		each	\$	6.70
656823	31 Washer on 655985	B16/B18		each	\$	1.97
ACCESSORIES						
279141	Basket for drive shaft tunnel	544/210		each	\$	41.80
277151	Basket for trunk/boot	444/544		each	\$	48.66
2312	Spotlights pair 5,5" chrome			pair	\$	102.00
2315	Fog lights pair 5,5" chrome			pair	\$	102.00
281056	Fog light covers (Blue Volvo logo on white)			pair	\$	45.05
277328	Head light gravel protection			pair	\$	40.38
779	Headlight chrome covers 7"			each	\$	45.01
10301	Steering wheel cover leather			st	\$	53.31
279731-1-4	Sparewheel covers RED/BLACK/BLUE/BROWN/WHITE			each	\$	50.99
Emblems						
87703	Grille emblem Volvo (circle with arrow) Gold	544	Duett B16	each	\$	50.88
670900	Grille emblem Volvo (circle with arrow)		1965-69	each	\$	49.75
655841	Volvo trunk logo PV	419299	1961-64	each	\$	55.88
671159	Volvo trunk logo PV	419300-	1965-66	each	\$	52.00
659082	544 hood and trunk emblem	419295	1961-64	each	\$	26.92
671096	544 shield		1965-66	each	\$	40.13
276376	Volvo letter set on front section with clips			each	\$	53.33

82660	Clips for emblem			each	\$	0.46
	Individual letters from the letter set			each	\$	18.67
663509	Sport emblem 1958-64			each	\$	44.41
671189	Sport emblem 1965-66			each	\$	47.54
671097	210 shield		1965-68	each	\$	52.22
663768	210 "text"		1960-64	each	\$	36.36
					\$	-
667184	B 18 grille emblem			each	\$	52.79
666444	B 18 trunk embleme for 544 (F-G)		1961-64	each	\$	48.52
79299	Swallow front at hood		444 -1956	each	\$	165.70
94442	Hood/hood side emblem "swallow"	Used	1950-60	each	\$	26.29
Brake components						
87695	Brake hose	3/car	ALL	each	\$	22.10
80939	Locking clips fot brake hose	3/car		each	\$	3.03
18651	Copper washer for brake hose			each	\$	0.81
275800	Brake shoes early type 444 / 445 set complete relined		1947-58	each	\$	80.00
	Core charge			each	\$	75.00
88830	Lock washer/clip for handbrake lever on rear shoe	rear		each	\$	3.33
669916	Guide washer front brakes	2/car		each	\$	4.40
275846	Brake shoes front PV 544 from 1958- for both wheels			set	\$	47.35
271813	Brake shoes rear PV 544 1958- for both wheels			set	\$	42.25
273171	Mounting kit brake shoes PV/210 1958-1970 front/rear	2/car		each	\$	7.39
659682	springs rear brake spreader bar	2/car		each	\$	2.80
25290	Brake return spring kit 544/210	2/car	1958-68	set	\$	21.18
667160	Upper brake return spring 544/210	4/axle	1958-68	each	\$	5.91
659668	Lower brake return spring 544/210	2/axle	1958-68	each	\$	5.91
87450	Wheel cylinder front PV 444/445	207865	1947-58	each	\$	36.00
87451	Wheel cylinder rear PV 444/445	207865	1947-58	each	\$	36.00
659673	Wheel cylinder front PV544/Duett	207865-	1958-68	each	\$	25.00
659683	Wheel cylinder rear PV 544/Duett	207865-	1958-68	each	\$	29.00
955512	Screw for all wheel cylinder (lockwasher 955920)			each	\$	0.56
659676	Pushrod for wheel cylinder	2/car		each	\$	2.80
Rebuilt brake drums						
667102	Brake drum front PV/Duett rebuilt			each	\$	197.35
673797	Brake drum rear PV/Duett rebuilt			each	\$	197.35
667102cc	A refundable core charge applies above drum			each	\$	55.00
New Brake Drums no core charge						
667102-1	Brake drum front New			each	\$	270.00
673797-1	Brake drum rear New			each	\$	270.00
667234	Brake drums no hub - set of 2			set	\$	205.00
9991791	Brake drum puller			each	\$	120.00
656456	Rubber cap for bleeder 87462			each	\$	0.70
87694	Master brake cylinder with built in reservoir	V/Duett	1947-60	each	\$	102.30
663468	Master brake cylinder	V/Duett	1961-65	each	\$	112.00
276492	Repair kit master cylinder	V/Duett	1947-65	each	\$	26.92
86420	Lid for master cylinder 87694		1947-60	each	\$	13.37
81416	Swivel bolt	V/Duett B/B16/B18		each	\$	24.33
AD15	Adapter lid for firewall reservoir filling			each	\$	38.24
663467	Brake line reservoir to master cylinder with AD15		CU/NI	each	\$	14.90
663467-1	Brake line reservoir to master cylinder original		CU/NI	each	\$	14.91
667362	Hose reservoir to brake line			each	\$	6.83
667360	Lid brake fluid reservoir		1961-	each	\$	10.54
663418	Brake fluid reservoir			each	\$	38.40
663417	Clamp for brake fluid reservoir			each	\$	12.93
87697	brake line manifold 3-way at master cylinder			each	\$	41.00
87696	brake line manifold 3-way rear			each	\$	28.19
18817	Gasket for 3-way joint 87696			each	\$	1.47
81415	Copper Gasket for 3-way joint 87696			each	\$	1.33

18355	Clamp round rear axle for brake lines	3/car		each	\$	3.91
Parking brake						
86925	Rear hand brake cable 445,	445		each	\$	58.27
656727	E-brake cable, rear	44 1957		each	\$	58.92
658842	Handbrake cable PV 544	2/car	1958-66	each	\$	20.67
669582	Hand brake lever boot PV 544 and Duett 210 Gray			each	\$	22.00
80969	Clamp for hand brake cable to body			each	\$	3.10
950373	Nut for 80969			each	\$	0.52
658843/44	Clamp at backing plate for handbrake cable PV 544		LH/RH	each	\$	13.59
660087	Handbrake cable rear Duett	2/car	1958-66	each	\$	22.31
658952/53	Clamp handbrake cable Duett	stainless	LH/RH	each	\$	26.92
88438	Rubber grommet handbrake -57			each	\$	10.16
86970	Hand brake return spring		PV/Duett	each	\$	7.65
656945	Rubber boot for hand brake cable			each	\$	6.33
660651	Hand brake lever ring	1/car		each	\$	6.32
191030	Stop screw for handbrake lever ring	1/car		each	\$	0.74
658322	Rubber seal hand brake lever			each	\$	8.93
659672	Rubber plug brake adjusting hole	set of 4		set/4	\$	2.75
672425	Brake light pressure switch contact B16/B18			each	\$	15.33
Decals						
101	B4B Oil filter decal Mann			each	\$	6.43
102	B4B Oil filter decal Fram			each	\$	6.43
103	B4B Oil filter decal Mann			each	\$	6.43
104	B4B Oil filter decal Mann, use with 101 and 103			each	\$	6.43
105	B16 Valve cover decal			each	\$	6.43
106	B18 Radiator decal			each	\$	3.41
107	B14/16 Bosch 6 Volt coil decal			each	\$	3.41
108	B18 Bosch 12 Volt coil decal			each	\$	3.41
109	B14/B16 Sport air filter decal			each	\$	4.42
110	B18 Sport air filter decal			each	\$	4.26
111	Servicedecal Mobil			each	\$	6.43
112	Servicedecal for oilfilter			each	\$	6.43
114	Volvo original car radiolock (Sw.text)			each	\$	6.43
116	This Volvo equipped with theft protection (SW.text)			each	\$	6.43
117	IMPORTANT synthetic paint (Sw.text 1956)			each	\$	6.43
118	Volvo rally "European champion 1963-64"			each	\$	6.43
119	Blue Volvo w.checked flag, 544 export			each	\$	6.43
120	Volvo rally "European champion 1963-64"(Sw.text)			each	\$	6.43
123	Heater regulator decal PV, Sw. Text			each	\$	8.64
124	Heater regulator decal PV, English. Text			each	\$	6.80
125	Reflex "Volvo" door edge			each	\$	4.15
126	"Volvo" emblem decal red/silver			each	\$	6.43
128	Volvo frost liquid filled B4B, B16, B18			each	\$	6.43
129	"Tudor safety Sweden" Battery decal			each	\$	6.43
130	Brrrrr... Volvo air conditioning decal			each	\$	6.43
131	Endast Volvo har 5-årig PV-garanti (Sw.text)			each	\$	6.43
140	Trico washer reservoir decal			each	\$	6.43
142/145	Racedecal checkered flag "Volvo" röd or blue			each	\$	6.43
148	"En ny Volvo med PV-garanti" PV444(Sw.text)			each	\$	12.94
150	"En ny Volvo med PV 544 garanti" (Sw.text)			each	\$	12.94
151	"A product of superb Swedish engineering"			each	\$	12.94
152	"En ny Volvo under inkörning" PV444			each	\$	12.94
155	"H" Right hand traffic decal			each	\$	6.43
157	"Volvgirl" Bella,			each	\$	6.43
158	Differential gear, antispinn (210)			each	\$	6.43
159	6V relay decal			each	\$	6.43
166	Champion spark plugs			each	\$	6.43
168	Volvo safety belt decal			each	\$	6.43
173	Decal charging relay 12 Volt			each	\$	3.41
175	Volvo high mileage club			each	\$	6.43
176	Fuse box paper decal			each	\$	6.43
177	"Do not open - see instructionbook" radiator			each	\$	6.43
179	Bosch 12 volt ignition coil B18, white			each	\$	3.41
180	B14/B16 charging relay 6 Volt (larger style)			each	\$	4.42
181	B14/B16 charging relay 6 Volt (smaller style)			each	\$	3.41

Misc. installation and mounting kits

MS1	Screw set kick panel	444	1947-53	pair	\$	1.81
MS1A	Screw set kick panel	V/Duett	1954-58	pair	\$	1.81
MS2	Screw set sill plate	PV		pair	\$	2.22
MS8	Screw set sill plates	Duett		pair	\$	2.40
MS3	Mounting kit rear light	PV544		each	\$	16.15
MS5	Screw set hood fabric	444/445	-1961	set	\$	1.41
MS5A	Screw set hood fabric+rubber seal	V/Duett	1961-68	set	\$	1.41
MS6	Screw kit front mudflap+bracket	PV		pair	\$	5.22
MS6A	Mounting kit rear mudflap +bracket	PV		pair	\$	9.63
MS7	Screw set front mudflap+bracket	Duett		pair	\$	6.22
MS7A	Screw set rear mudflap+bracket	Duett		pair	\$	5.22
MS11B	Screw set rear bumper brackets	PV	1951-53	each	\$	6.03
MS11A	Screw set front bumper brackets	PV		each	\$	4.03
MS12	Screw set inner fender	PV		each	\$	2.61
MS13	Screw set rubber stop	PV		each	\$	1.81
MS14	Screw set damper band	PV		each	\$	2.81
MS16	Screw set window frame	PV		each	\$	2.40
MS16A	Screw set for 95006/7 fabric seal	PV		each	\$	2.40
MS17	Screw set radiator	34B/B16		each	\$	2.40
MS21	Screw dome light	PV		each	\$	0.19
MS21A	Screw dome light	Duett		each	\$	0.19
MS25	Mounting kit heater package	V/Duett		set	\$	6.03
13170	Sheet metal nails cardboard covers rear seat			set	\$	2.21
MS26	Mounting kit housing/fender		1/car	each	\$	2.35
MS27	Mounting kit retainer/inner bucket		1/car	each	\$	1.13
MS28	Mounting kit high/low beam switch		1/car	each	\$	4.00
MS29	Screw kit for 73606		1/car B18B/D	each	\$	5.38
MS30	Screw kit for sunviser bracket		chromed	each	\$	2.03
MS36	Screw kit air filter 679260/61	Duett	B18/B20	each	\$	5.92
276466	Mounting kit front fender		2/car 1954-66	set	\$	20.59
276467	Rear fender/wing mounting kit		2/car	set	\$	11.47
276463	Mounting kit grille		1957-68	set	\$	6.03